

# BRX1

RIFLE  
USER MANUAL

## Contents

Basic Safety Rules .....	4
Nomenclature/Main Parts .....	8
Obstruction check .....	10
Assembly .....	10
Load check .....	14
Safety .....	15
Using your firearm .....	16
Maintenance .....	26
Caliber conversion .....	31
Storage .....	35
Warranty .....	36

---

Titles:

Warning, Caution, and Notice headings are defined as follows:



## **WARNING**

**THE PURPOSE OF A WARNING TITLE IS TO DRAW ATTENTION TO POTENTIALLY DANGEROUS SITUATIONS THAT COULD RESULT IN PERSONAL INJURY.**



## **CAUTION**

**A CAUTION concerns potential damage to the firearm.**



## **Notice**

A NOTICE highlights important procedures and statements that require more emphasis than general text.

Unless otherwise stated, the firearm described here is shown in the right-handed version.

**Text and illustrations are subject to change without prior warning.**

** WARNING**

THIS MANUAL CONTAINS IMPORTANT WARNINGS THAT NEED TO BE UNDERSTOOD BEFORE USING THIS FIREARM.

PLEASE KEEP THIS COPY OF THE INSTRUCTION MANUAL FOR FUTURE CONSULTATION. IN CASE OF CHANGE OF OWNERSHIP, ALWAYS PROVIDE A COPY OF THIS MANUAL. IF THIS FIREARM IS LOANED, GIVEN TO OTHERS TO USE, OR SOLD ON, MAKE SURE THAT THIS INSTRUCTION MANUAL ACCOMPANIES IT AS A REFERENCE FOR SAFETY PROCEDURES AND OPERATION.

** WARNING**

FIREARMS CAN BE DANGEROUS AND CAN POTENTIALLY CAUSE SERIOUS INJURY, DAMAGE TO PROPERTY OR DEATH, IF HANDLED IMPROPERLY. THE FOLLOWING SAFETY RULES ARE AN IMPORTANT REMINDER THAT YOU ARE RESPONSIBLE FOR THE SAFETY OF YOUR FIREARM.

** WARNING**

ALWAYS MAKE SURE THAT THE SAFETY IS FULLY ENGAGED UNTIL YOU ARE READY TO SHOOT. CAREFULLY READ THE “SAFETY” CHAPTER IN THIS MANUAL BEFORE BEGINNING TO HANDLE THE FIREARM.

** WARNING**

CAREFULLY READ ALL PARTS IN THE MANUAL BEFORE USING THIS FIREARM. MAKE SURE THAT ANY PERSON USING OR HAVING ACCESS TO THIS FIREARM HAS READ AND COMPLETELY UNDERSTOOD ALL OF THE INSTRUCTIONS IN THIS MANUAL PRIOR TO USE OR ACCESS.

WE RECOMMEND THE USE OF ORIGINAL BERETTA SPARE PARTS AND ACCESSORIES. THE USE OF SPARE PARTS AND ACCESSORIES FROM OTHER MANUFACTURERS COULD CAUSE MALFUNCTIONS AND/OR BREAKAGES THAT WILL NOT BE COVERED BY THE BERETTA WARRANTY.

 **WARNING**

BERETTA AND/OR ITS LOCAL OFFICIAL DISTRIBUTORS ASSUME NO LIABILITY FOR PRODUCT MALFUNCTION OR FOR PHYSICAL INJURY OR DAMAGE TO PROPERTY RESULTING IN WHOLE OR IN PART FROM CRIMINAL OR NEGLIGENT USE OF THE PRODUCT, IMPROPER OR CARELESS HANDLING, INTENTIONAL OR ACCIDENTAL DISCHARGE, UNAUTHORIZED MODIFICATIONS, USE OF DEFECTIVE, IMPROPER, HAND-LOADED, RELOADED OR REMANUFACTURED AMMUNITION, MISUSE OR NEGLIGENCE OF THE PRODUCT, OR OTHER FACTORS BEYOND MANUFACTURER'S DIRECT AND IMMEDIATE CONTROL.

IN ADDITION TO THE BASIC SAFETY RULES, THERE ARE OTHER SAFETY RULES PERTAINING TO THE LOADING, UNLOADING, DISASSEMBLY, ASSEMBLY AND USE OF THIS FIREARM, LOCATED THROUGHOUT THIS MANUAL.

## BASIC SAFETY RULES

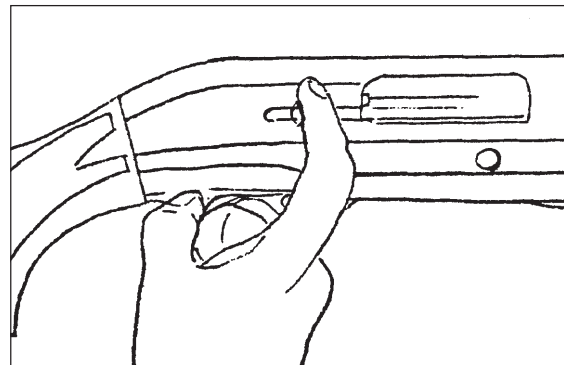
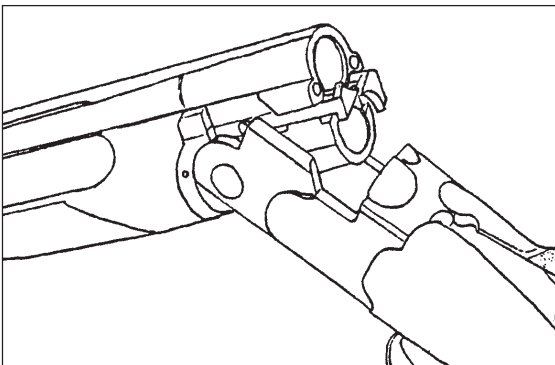
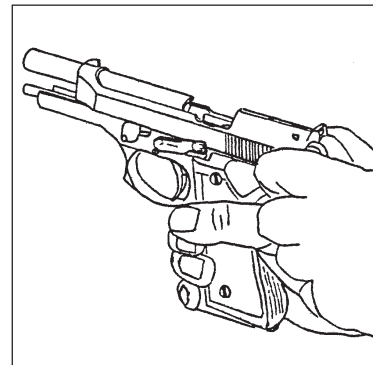
### 1. NEVER POINT A FIREARM AT SOMETHING THAT IS NOT SAFE TO SHOOT.

Never let the muzzle of a firearm point at any part of your body or at another person. This is especially important when loading or unloading the firearm. When you are shooting at a target, know what is behind it. Some bullets can travel over a mile. If you miss your target or if the bullet penetrates the target, it is your responsibility to ensure that the shot does not cause unintended injury or damage.



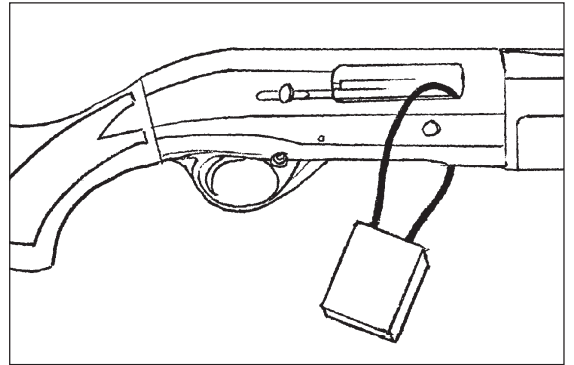
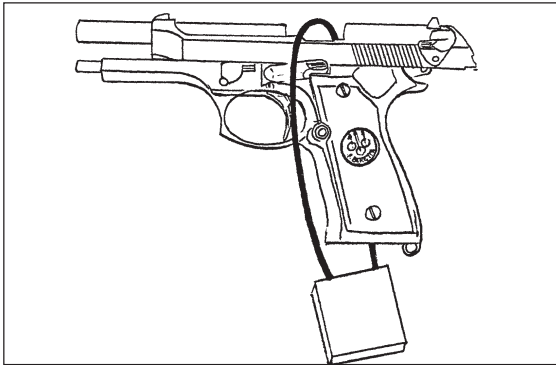
### 2. ALWAYS HANDLE A FIREARM AS IF IT WERE LOADED.

Never assume that a firearm is unloaded. The only certain way to ensure there are no cartridges in a firearm is to open the chamber and visually and physically examine the inside to see if a round is present. Removing or unloading the magazine will not guarantee that a firearm is unloaded or cannot fire. Firearms can be checked by cycling or removing the magazine and by then opening the chamber so that a visual inspection of the chamber for any remaining rounds can be made.



### 3. STORE YOUR FIREARM SO THAT IT IS WELL OUT OF CHILDREN'S REACH.

It is your responsibility to ensure that children under the age of 18 or other unauthorized persons cannot gain access to your firearm. To reduce the risk of accidents involving children, unload your firearm, lock it in a safe place, and store the ammunition in a separate locked location. Please note that devices intended to prevent accidents - for example, cable locks, chamber plugs, etc., - may not prevent use or misuse of your firearm by a determined person. Firearm storage in a steel gun safe may be more appropriate to reduce the likelihood of intentional misuse of a firearm by a child or unauthorized person.



### 4. NEVER SHOOT AT WATER OR AT HARD SURFACES.

Shooting at the surface of water or at a rock or other hard surface increases the chance of ricochets or fragmentation of the bullet or shot, which can result in the projectile striking an unintended or peripheral target.

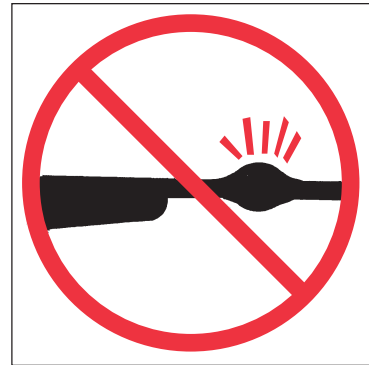


### 5. MAKE SURE YOU KNOW THE SAFETY FEATURES OF THE FIREARM YOU ARE USING, BUT REMEMBER: SAFETY DEVICES ARE NOT A SUBSTITUTE FOR SAFE HANDLING PROCEDURES.

Never rely solely on a safety device to prevent an accident. It is imperative that you know and use the specific safety devices of the particular firearm you are handling, but the best way to prevent accidents is to follow the safe handling procedures described in these safety rules and elsewhere in the product manual. To further familiarize yourself with the proper use of this or other firearms, take a Firearms Safety Course taught by an expert in firearms use and safety procedures.

## **6. PROPERLY MAINTAIN YOUR FIREARM.**

Store and carry your firearm so that dirt or lint does not accumulate in the working parts. Clean and oil your firearm after each use, following the instructions provided in this manual, to prevent corrosion, damage to the barrel or the accumulation of impurities which can prevent use of the firearm in an emergency. Always check the barrel and chamber(s) before loading to ensure that they are clean and free from obstructions. Firing with an obstruction in the barrel or chamber can rupture the barrel and injure you or others nearby. In the event you hear an unusual noise when shooting, stop firing immediately, engage the manual safety and unload the firearm. Make sure the chamber and barrel are free from any obstruction, such as a bullet blocked inside the barrel due to defective or improper ammunition.



## **7. USE SUITABLE AMMUNITION.**

Only use factory-loaded, new ammunition manufactured to industry specifications: CIP (Europe and elsewhere), SAAMI® (U.S.A.). Be certain that every round you use is in the proper caliber and type for the particular firearm. The caliber of the firearm is clearly marked on the barrel. The use of reloaded or remanufactured ammunition can increase the likelihood of excessive cartridge pressures, case-head ruptures or other defects in the ammunition that can cause damage to your firearm and injury to yourself or others nearby.

## **8. ALWAYS WEAR PROTECTIVE GLASSES AND EARPLUGS WHEN SHOOTING.**

The chance that gas, gunpowder residues or metal fragments will blow back and injure a shooter who is firing a gun is rare; however, the injury that can be sustained in such circumstances can be severe, including the possible loss of eyesight. A shooter must always wear impact-resistant shooting glasses when firing any firearm. Noise-reducing earplugs or headphones will reduce the risk of damage to hearing caused by prolonged shooting activity.





### 9. NEVER CLIMB A TREE, FENCE OR OBSTRUCTION, AND NEVER JUMP OVER DITCHES WITH A LOADED FIREARM.

Open and empty the chamber(s) of your firearm and engage the manual safety before climbing up or down a tree or before climbing a fence or jumping over a ditch or other obstruction. Never pull or push a loaded firearm toward yourself or another person. Always unload a firearm, then visually and physically check to make sure that the magazine, loading mechanism and chamber/s are unloaded, and the action is open before handing it to another person. Never take a firearm from another person unless it is unloaded, and visually and physically checked to confirm it is unloaded.

Only take a firearm when the action is open



### 10. AVOID ALCOHOLIC BEVERAGES OR JUDGEMENT/REFLEX IMPAIRING MEDICATION WHEN SHOOTING.

Never drink and shoot. If you take medication that can impair motor reactions or judgement, do not handle a firearm while you are under the influence of this medication.



### 11. NEVER TRANSPORT A LOADED FIREARM.

Always unload a firearm before putting it in a vehicle (chamber empty, magazine empty). Hunters and target shooters should load their firearm only at their destination, and only when they are ready to shoot. If you carry a firearm for self-protection, leaving the chamber unloaded can reduce the chance of unintentional discharge.



## 12. LEAD WARNING.

Discharging firearms in poorly ventilated areas, cleaning firearms, or handling ammunition may result in exposure to lead and other substances known to cause birth defects, reproductive harm, and other serious physical injury. Always use a firearm in a suitably ventilated area. Wash hands thoroughly after exposure to these substances.

### **Notice**

It is your responsibility to know and abide by federal, state and local laws governing the sale, transportation and use of firearms in your area.

### **WARNING**

**THIS FIREARM HAS THE CAPABILITY OF TAKING YOUR LIFE OR THE LIFE OF SOMEONE ELSE!**

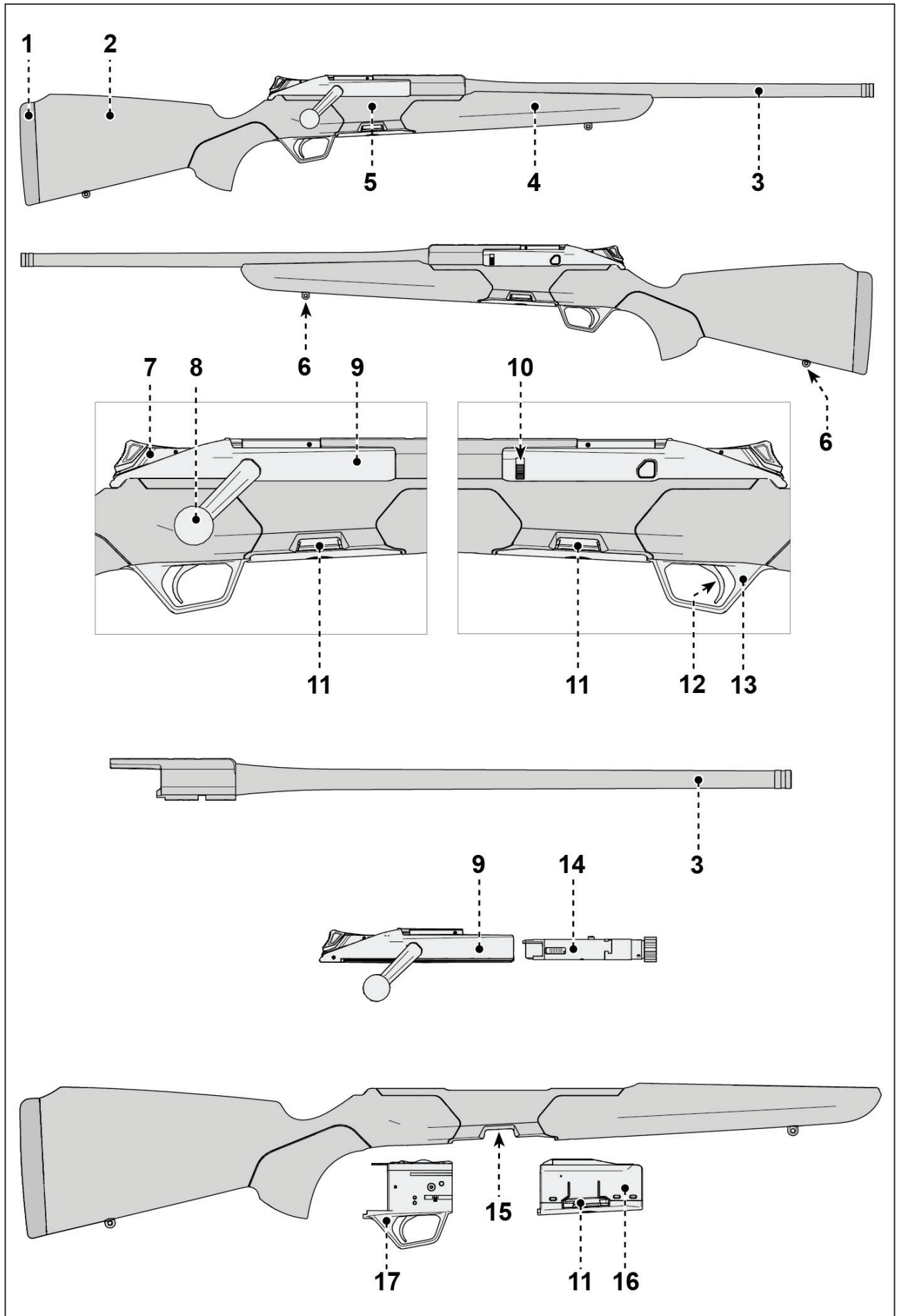
**ALWAYS BE EXTREMELY CAREFUL WITH YOUR FIREARM.**

**AN ACCIDENT IS ALMOST ALWAYS THE RESULT OF NOT FOLLOWING BASIC FIREARM SAFETY RULES.**

**BEFORE USING THE FIREARM OR CARRYING OUT ANY OPERATION IN THIS MANUAL, BE SURE TO CAREFULLY FOLLOW THE BASIC SAFETY RULES INDICATED ABOVE.**

## NOMENCLATURE/MAIN PARTS

- 1 Butt plate
- 2 Stock
- 3 Barrel
- 4 Fore-end
- 5 Receiver
- 6 Sling swivel
- 7 Safety
- 8 Bolt handle
- 9 Bolt carrier
- 10 Bolt handle button
- 11 Magazine release button
- 12 Trigger
- 13 Trigger guard
- 14 Bolt assembly
- 15 Magazine well
- 16 Magazine
- 17 Trigger mechanism



## OBSTRUCTION CHECK

Check the barrel to ensure there are no obstructions in the chamber and bore. This is extremely important because serious injury can result to the user or to nearby persons if a cartridge is fired in an obstructed barrel or chamber.

### **!** WARNING

**THE BARREL MUST BE INSPECTED EVERY TIME BEFORE YOU USE THE FIREARM.**

Proceed as follows:

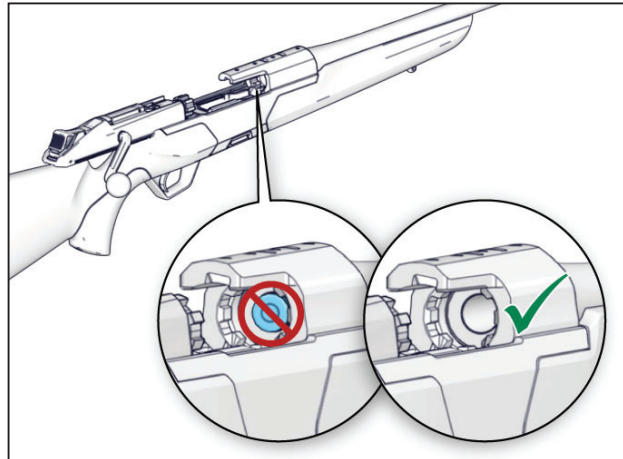
put the safety in position **(B)** (see the “SAFETY” section on page 15);

remove the bolt carrier (see the “MAINTENANCE” section on page 26);

look right through the barrel from the rear, and make sure there are no obstructions, even minor ones;

if there are any obstructions in the barrel, contact a competent gunsmith to remove it and then inspect the firearm again before it can be fired.

## ASSEMBLY



### **!** WARNING

**ALL ASSEMBLY, DISASSEMBLY AND MAINTENANCE PROCEDURES MUST BE CARRIED OUT WITH THE FIREARM UNLOADED (CARTRIDGE CHAMBER, RECEIVER AND MAGAZINE EMPTY).**

### **!** WARNING

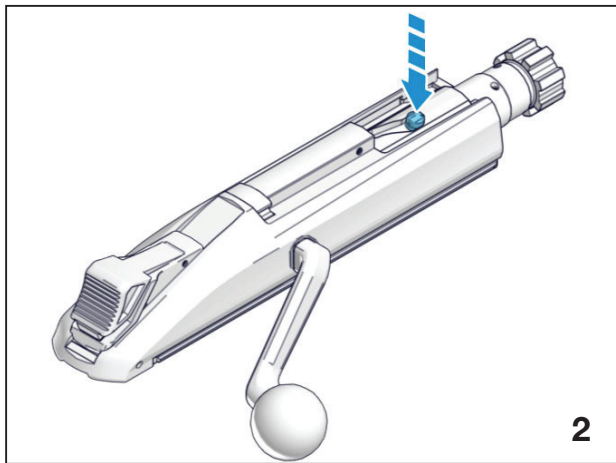
**DURING ASSEMBLY, DISASSEMBLY AND MAINTENANCE PROCEDURES, NEVER POINT A FIREARM AT SOMEONE OR AT HARD OR FLAT SURFACES. ALWAYS TREAT A FIREARM AS IF IT WERE LOADED (SEE POINTS 1, 2 AND 4 OF THE “BASIC SAFETY RULES”).**

 **CAUTION**

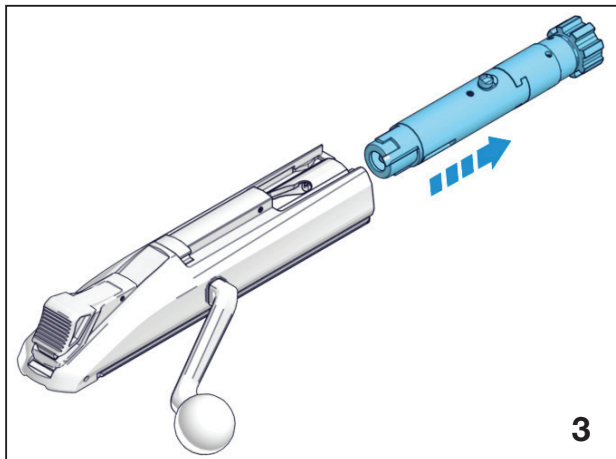
It is advisable to carry out the assembly operations over a table to catch any components if they fall.

The bolt carrier is provided “as standard” for right-handed use. For left-handed use, proceed as follows.

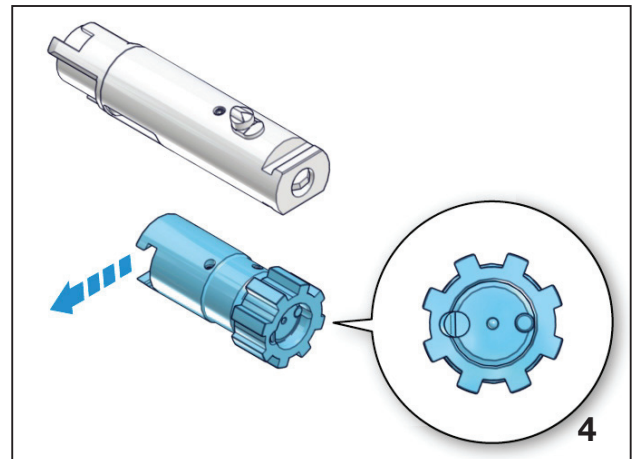
Grip the bolt carrier firmly. Press one finger on the bolt carrier lock tooth.



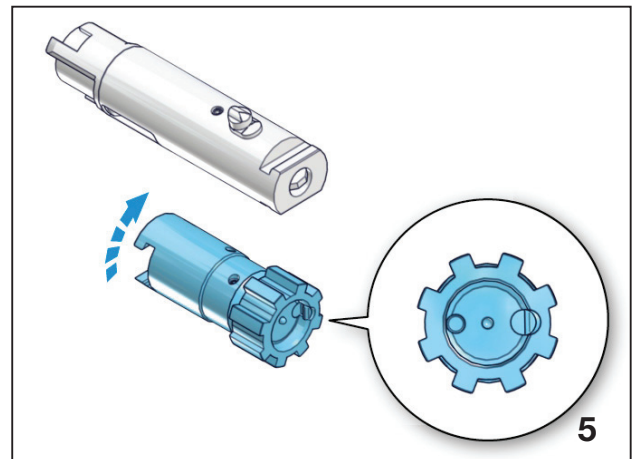
Take out the bolt head group.



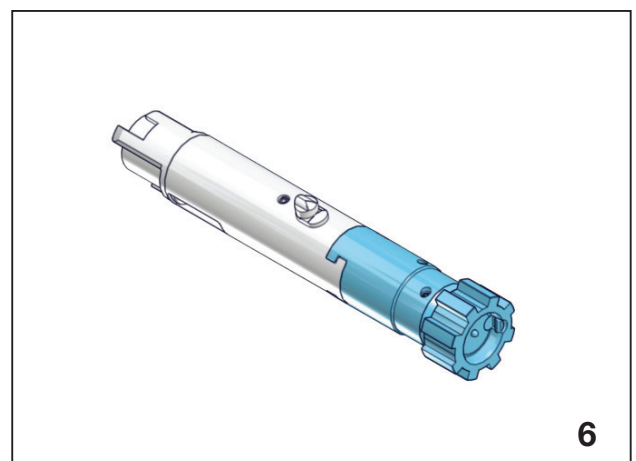
Slide out the bolt head.



Turn the bolt head 180°.

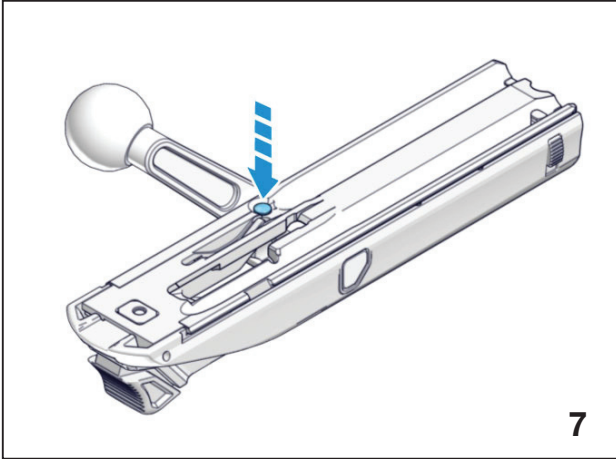


Refit the bolt head.



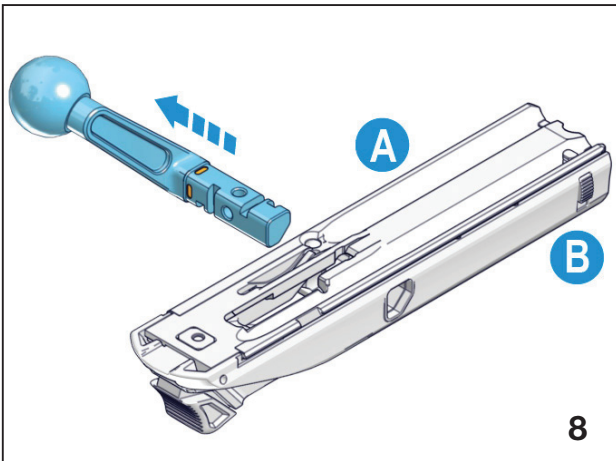
Grip the bolt carrier firmly and overturn it.

Use a suitable tool to release the bolt handle (tip of a pen or screwdriver).



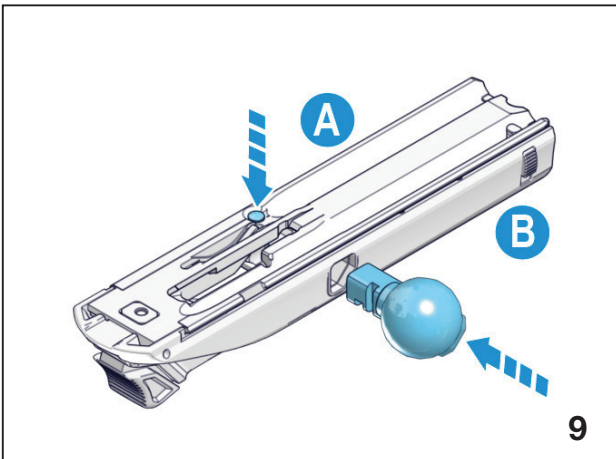
7

Take the bolt handle out of its seating (carrier side A).



8

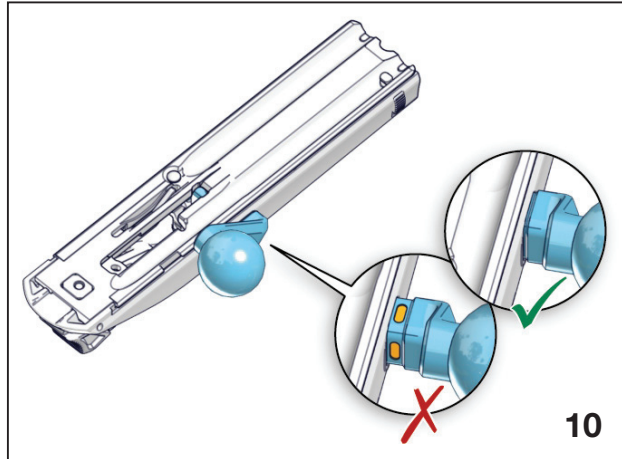
Insert the bolt handle fully into the seating (carrier side B).



9

## **WARNING**

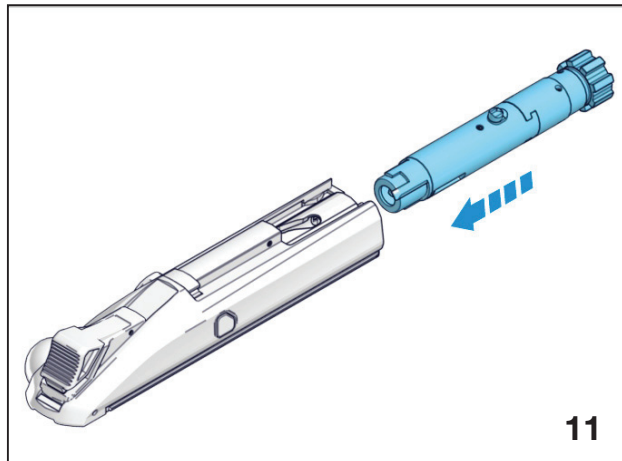
**PUSH THE BOLT HANDLE ALL THE WAY. THE BOLT HANDLE IS PROPERLY INSTALLED ONLY IF THE MARKS CANNOT BE SEEN.**



10

Refit the bolt head assembly into the carrier.

This procedure repositions both the extractor and the ejector and sets shell ejection from the left side of the firearm.

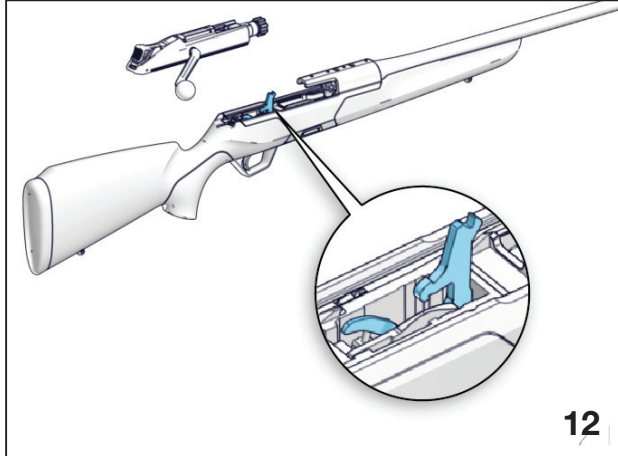


11

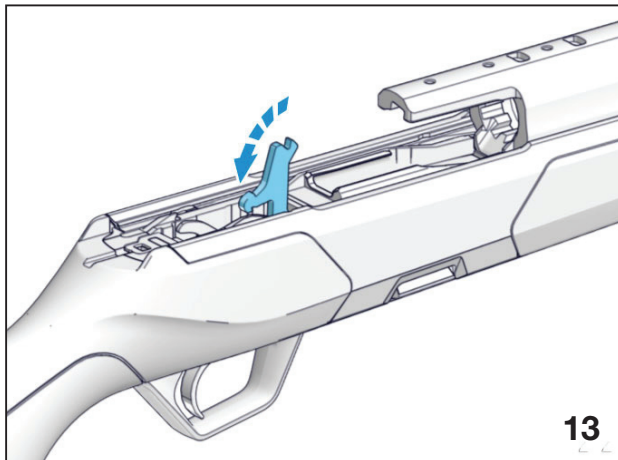
Check the barrel. The barrel and cartridge chamber must be clean and free from obstructions (see "Obstruction Check" on page 10).

If the hammer and/or recoil lever are decocked, cock the hammer and/or recoil lever by rotating them with your finger until they are engaged.

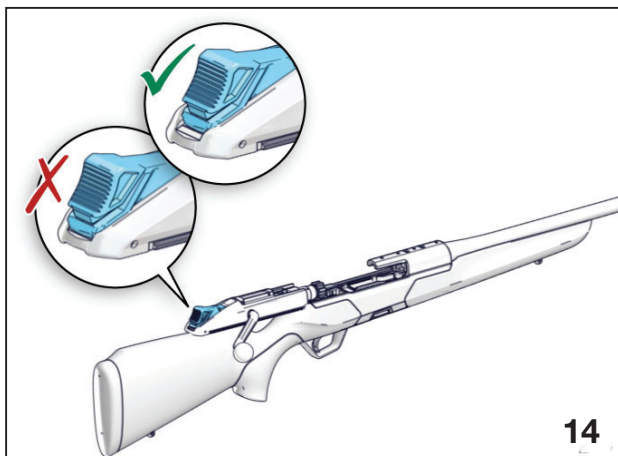
**! WARNING**  
DO NOT ALLOW THE HAMMER AND/OR RECOIL LEVER TO SLIP OUT OF PLACE, SINCE THEIR SPRINGS PUSH WITH FORCE.



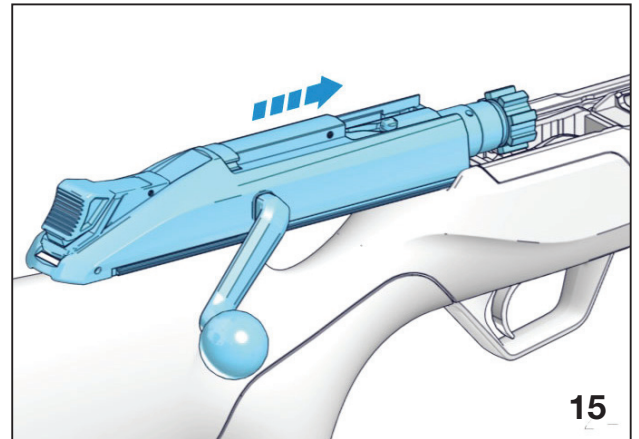
**! CAUTION**  
Cock the hammer. If you fit the bolt carrier with the hammer or recoil lever decocked, this can damage the parts.



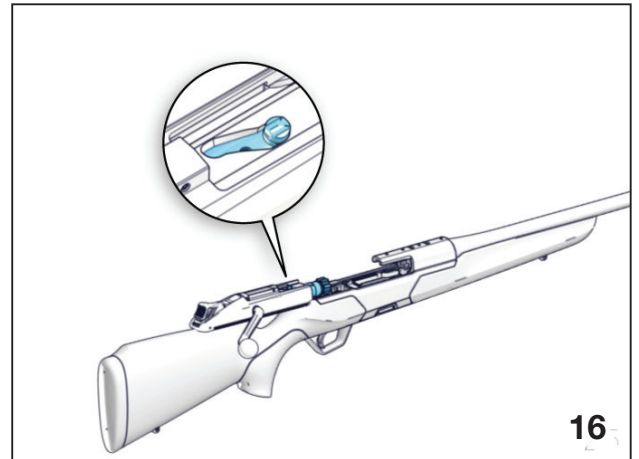
Make sure that the safety is NOT in the "carrier locked" position (see the "SAFETY" section on page 15).



Proceed to fit the bolt carrier into the receiver: make sure the guides are correctly coupled.

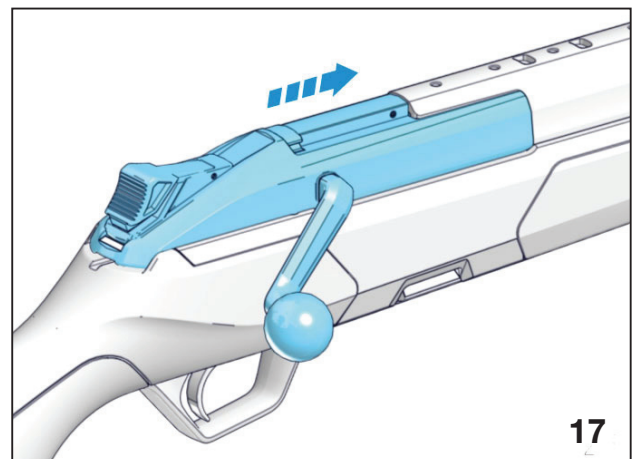


Check that the bolt head is in the open position.



**! WARNING**  
USE THE BOLT HANDLE TO PUSH THE CARRIER FORWARD AND TO AVOID PINCHING YOUR FINGERS IN THE GUIDES.

Slide the carriage on the guides until it is completely closed.

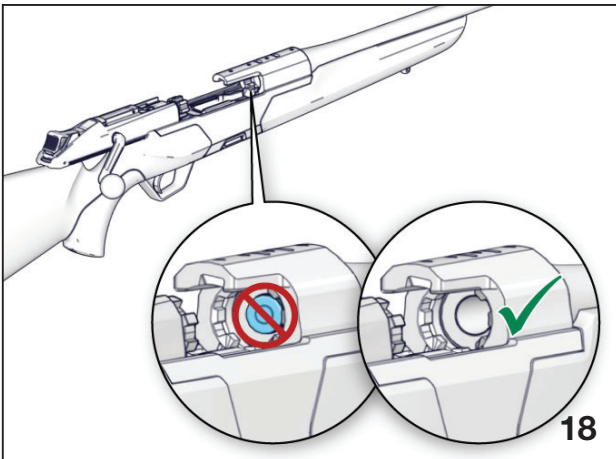


## LOAD CHECK

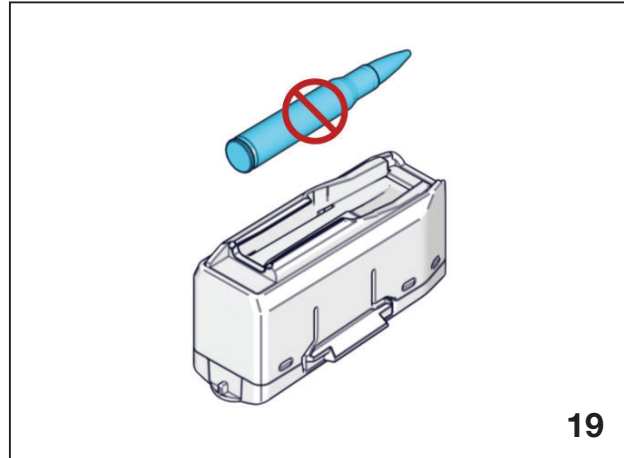
At various points in this manual, you will be requested to inspect the ejection port, the loading gate, and the cartridge chamber of your firearm to ensure that it is unloaded.

This should become second nature to you, as should the following precautions:

- never assume that the gun is unloaded.
- never point or push the gun toward yourself or another person.
- always inspect the ejection port, the loading gate and the cartridge chamber to make sure they are empty.



- inspect the magazine to ensure it is empty;



- pull back the breech bolt to lock it into the open position and engage the safety before handing the firearm to another person. (see the “SAFETY” section on page 15);

### **! WARNING**

**WHEN MOVING THE BOLT CARRIER BACK, NEVER KEEP YOUR HAND ON THE STOCK. YOU COULD INJURE YOURSELF WITH THE BOLT.**

- never take from or give the firearm to another person unless the breech bolt has been opened and the ejection port, loading gate and cartridge chamber have been inspected to ensure they are completely empty.
- carefully read through the instructions on page 10 (Obstruction Check).

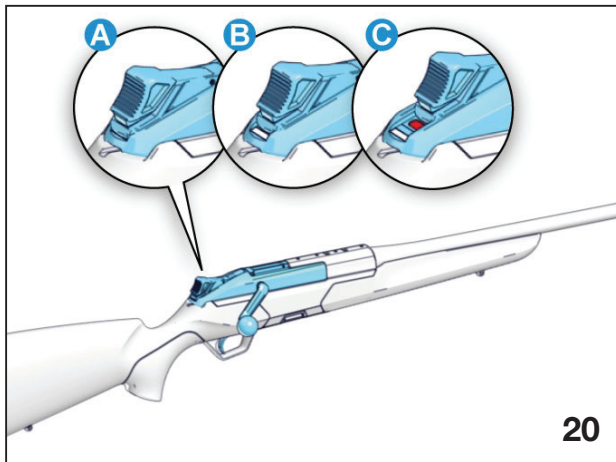
### **! WARNING**

**KEEP YOUR FINGERS AWAY FROM THE TRIGGER, TURN THE FIREARM IN A SAFE DIRECTION AND ALWAYS ENGAGE THE SAFETY (SEE THE “SAFETY” SECTION ON PAGE 15).**

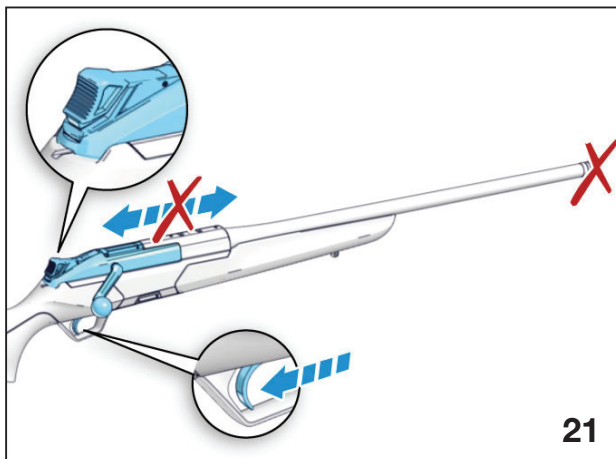


## SAFETY

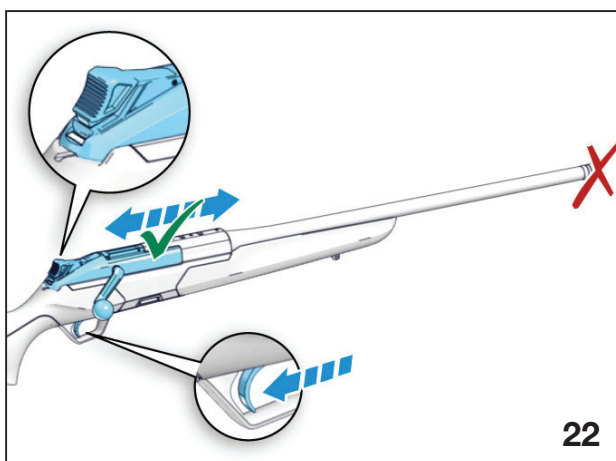
The safety button has 3 positions.



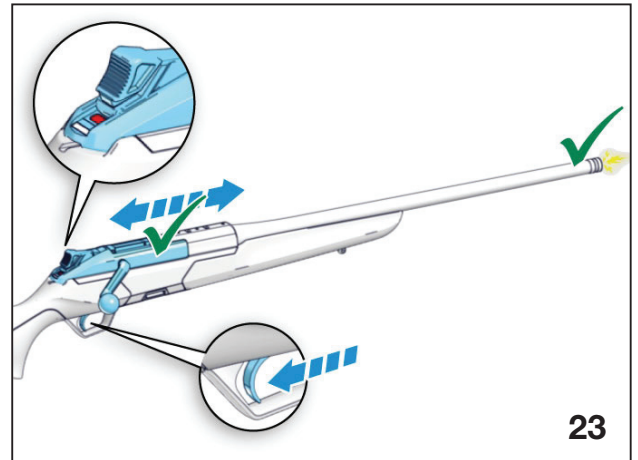
**A Total lock position:** carrier and trigger locked.



**B Partial lock position:** trigger locked, carrier free.



**C Firing position (red latch):** carrier and trigger free.



### **i Notice**

To pass from position **(A)** to **(B)** and **(C)**, push the selector forward.

To move from position **(C)** to **(B)** and **(A)**, push the selector up and forward, then leave it to move back, countering the movement with your thumb.

## USING YOUR FIREARM

### **! WARNING**

BERETTA ASSUMES NO LIABILITY FOR PHYSICAL INJURY OR PROPERTY DAMAGE RESULTING FROM THE USE OF DEFECTIVE, IMPROPER, HAND-LOADED, RELOADED OR RE-MANUFACTURED AMMUNITION. SERIOUS DAMAGE OR INJURY, EVEN DEATH, MAY BE CAUSED FROM THE USE OF AMMUNITION THAT IS NOT SUITABLE, LOADED WITH FORCE, OR LOADED WITH OBSTRUCTIONS IN THE BARREL. THE USE OF RE-LOADED AMMUNITION WILL VOID THE MANUFACTURER'S WARRANTY. ONLY USE TOP-QUALITY, FACTORY-LOADED AMMUNITION.

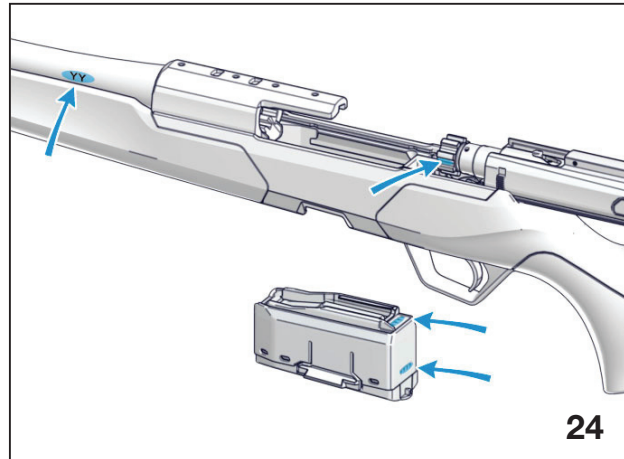
### **! WARNING**

TO AVOID FIREARM MALFUNCTIONS, INSPECT EACH CARTRIDGE BEFORE INSERTING IT INTO THE CHAMBER. MAKE SURE THAT THE CASE-HEADS ARE NOT DAMAGED OR DEFORMED AND THAT THE CARTRIDGES HAVE NO OTHER TYPE OF DENT OR DEFECT (THESE CHECKS MUST ALSO BE MADE FOR FACTORY-NEW AMMUNITION).

According to the chosen caliber, the firearm is ready to fit different barrels and therefore, different cartridge chambers.

### **! WARNING**

ONLY EVER USE SUITABLE CARTRIDGES FOR THE CALIBER OF YOUR FIREARM, WHICH YOU WILL FIND ON THE LEFT SIDE OF THE BARREL AND THE BACK OF THE MAGAZINE.



### **! WARNING**

NEVER USE CARTRIDGES THAT DO NOT CORRESPOND TO THE INDICATIONS ON THE BARREL.

### **! WARNING**

TO AVOID USING IMPROPER AMMUNITION, ALWAYS CHECK THE CHARACTERISTICS STAMPED ON THE CARTRIDGE BOX AND ON THE CARTRIDGE ITSELF. BE SURE TO USE THE RIGHT CARTRIDGE CALIBER AND LENGTH FOR YOUR FIREARM.

## MAGAZINE CAPACITY

The magazine capacity can vary according to the standards in force in different countries.

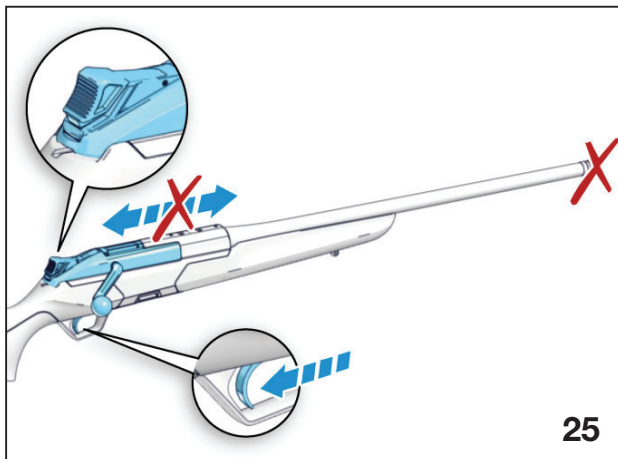


### CAUTION

Wholesalers, dealers or gunsmiths are not authorized to carry out any warranty repairs or adjustments on behalf of the Manufacturer (unless they are a repair point authorized by the Manufacturer and/or by its local official distributors).

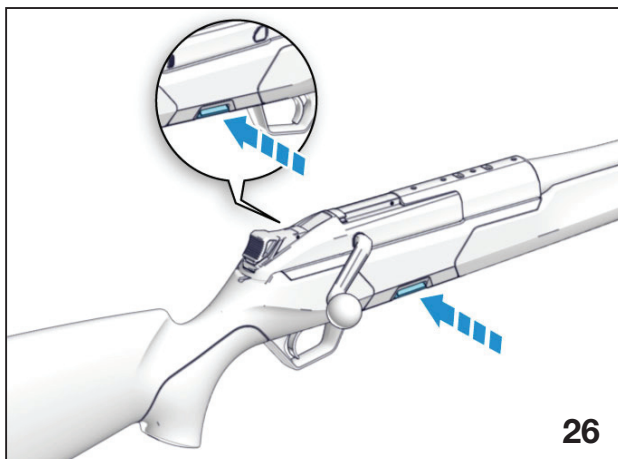
## HOW TO LOAD AND FIRE

Safety in position **(A)**: total lock.

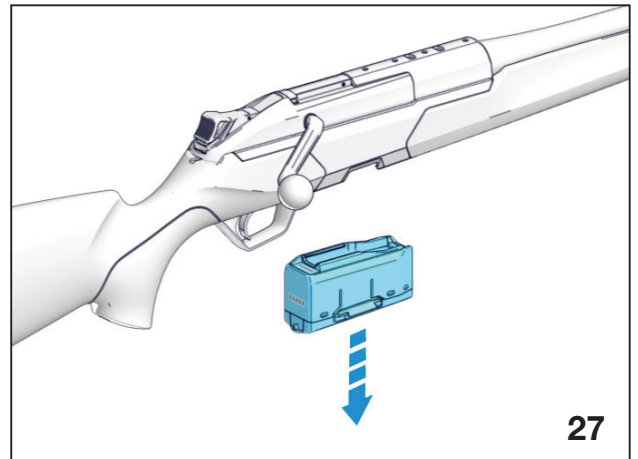


25

Press both release buttons to free the magazine.

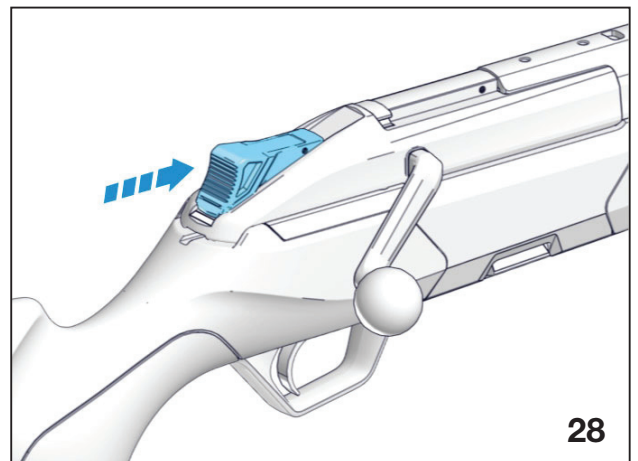


26



27

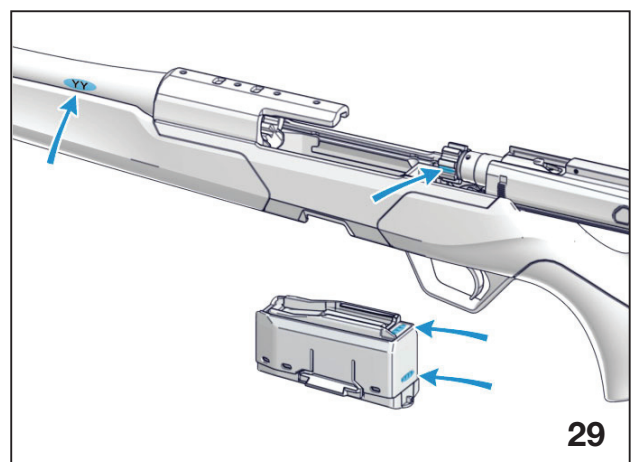
Move the safety into position **(B)**: partial lock.



28

### **!** WARNING

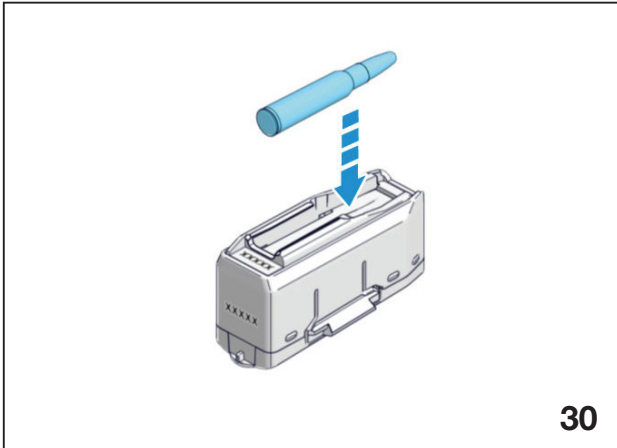
**MAKE SURE THAT THE CARTRIDGE CALIBER CONFORMS TO THE CALIBER OF THE FIREARM.**



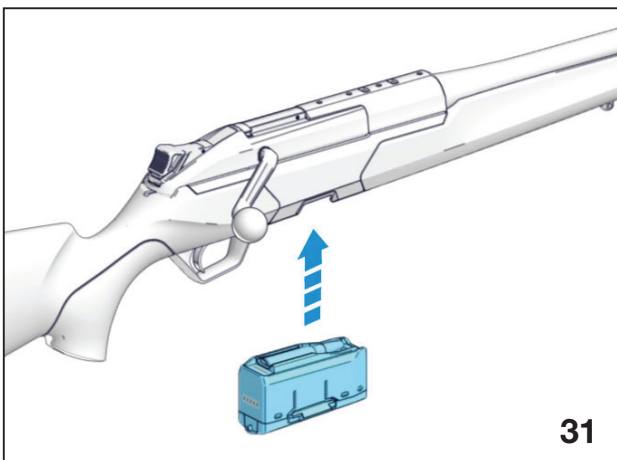
29

Insert the cartridges into the magazine (max. capacity: 5 cartridges).

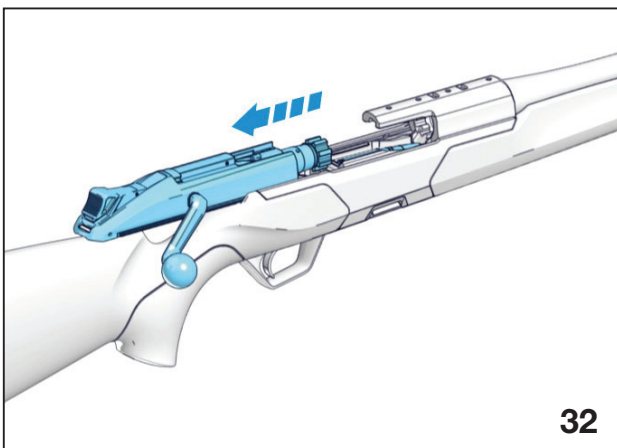
**! WARNING**  
**INSERT THE CARTRIDGES IN THE RIGHT DIRECTION.**



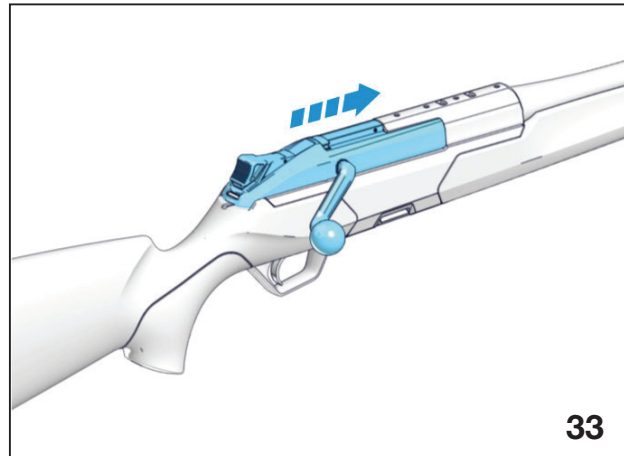
Insert the magazine into the loading gate with the tip of the cartridge facing forward.



Move the carrier back.



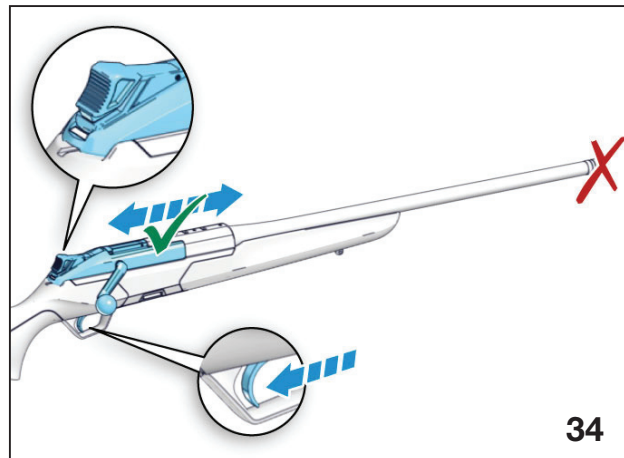
Move the carrier forward to chamber a cartridge.



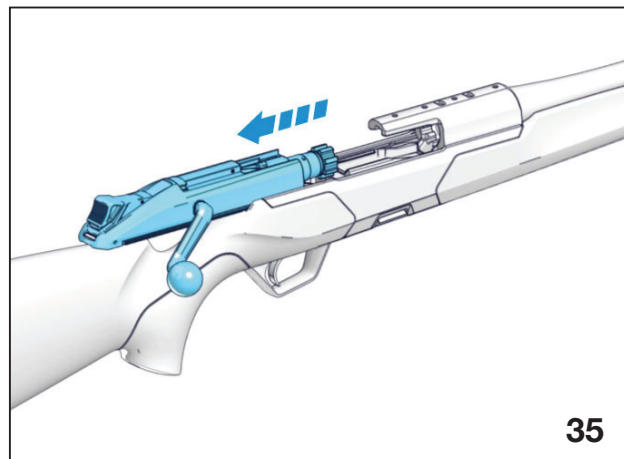
Unless the safety is enabled, the firearm is ready to shoot.

It is possible to load the firearm from above, proceeding as follows.

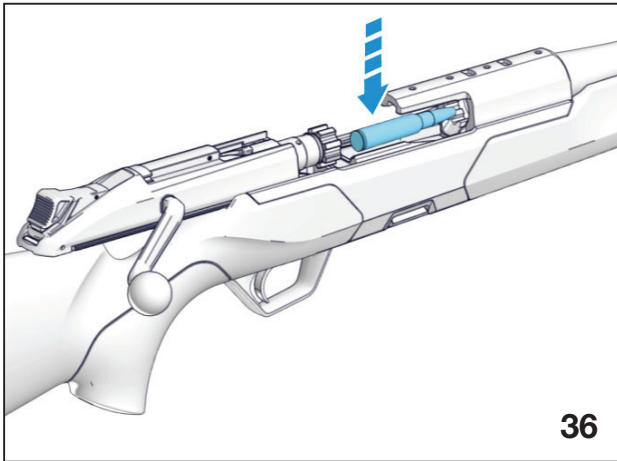
Safety in position **(B)**: partial lock.



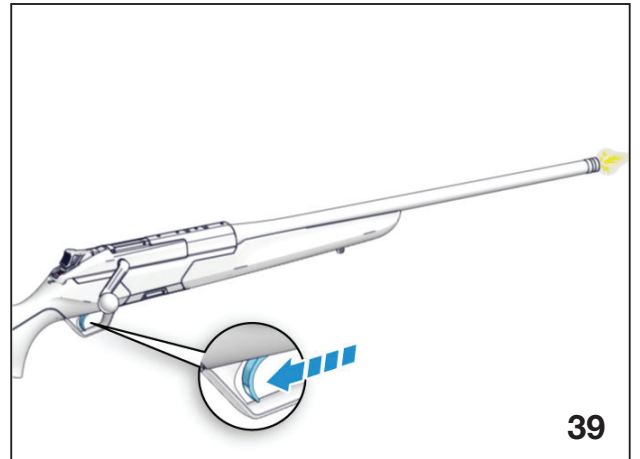
Open the carrier.



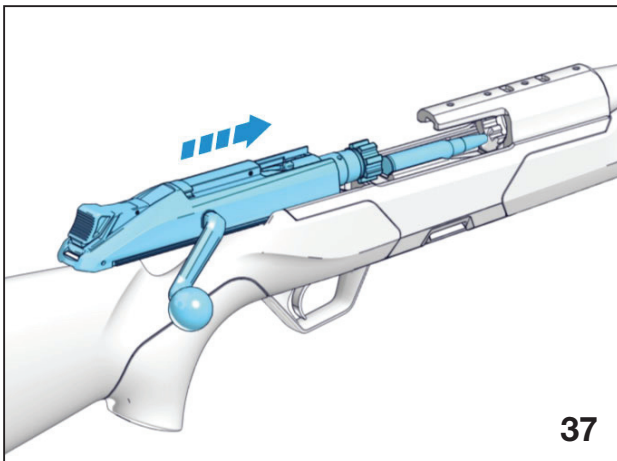
Insert the cartridges into the magazine (max. capacity: 5 cartridges).



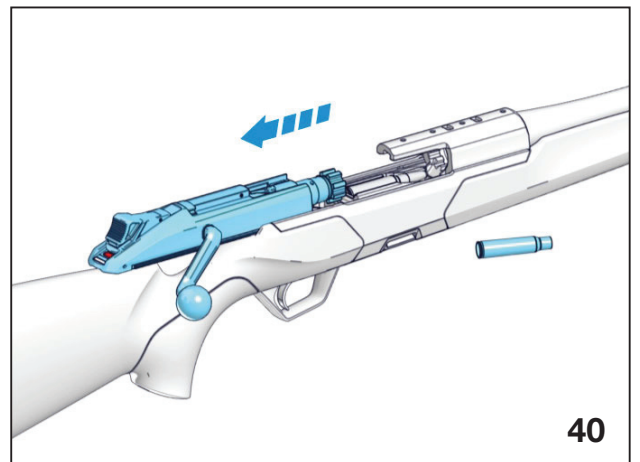
Pull the trigger to shoot.



Close the carrier.



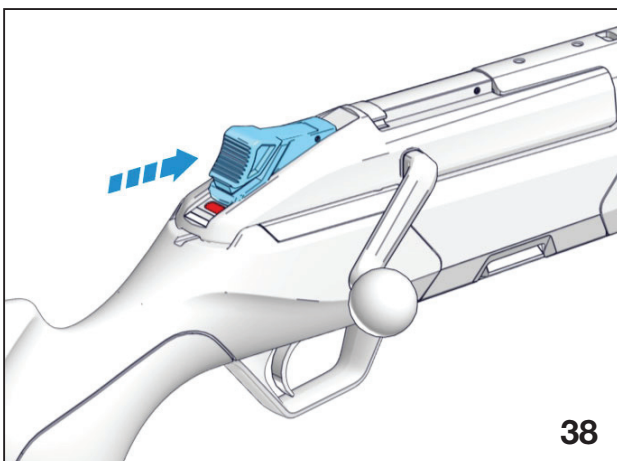
Recock the carrier to eject the shell and chamber a new cartridge, pull the trigger to shoot; this sequence can be repeated until there are no more cartridges in the magazine.



Unless the safety is enabled, the firearm is ready to shoot.

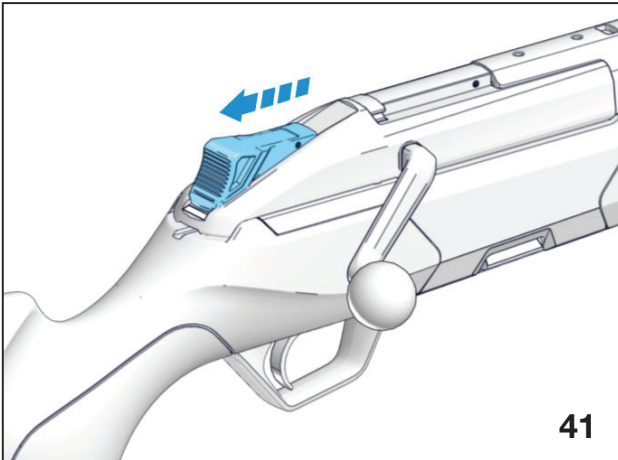
## FIRING

Put the safety into position (C – red latch): carrier and trigger free.

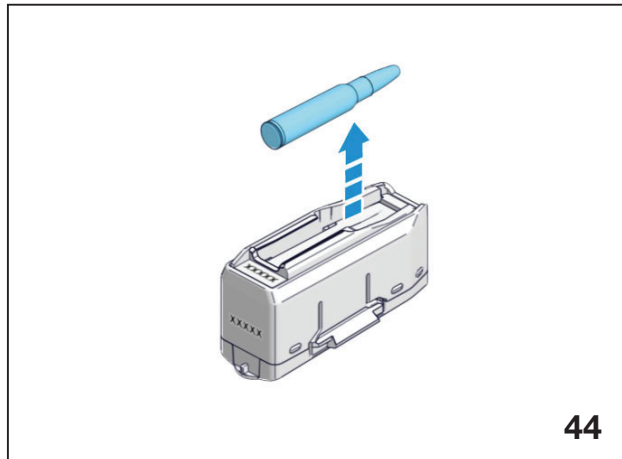


**UNLOADING**

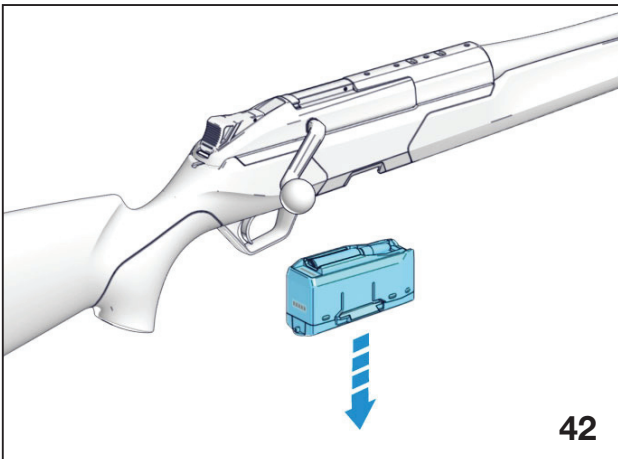
Move the safety into position **(B)**: partial lock.



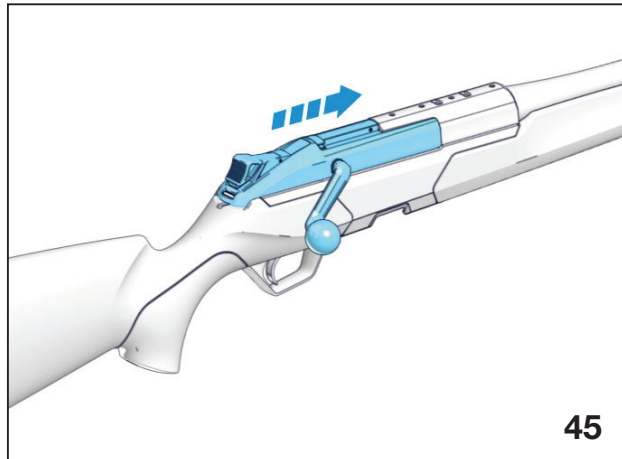
Empty any remaining cartridges from the magazine.



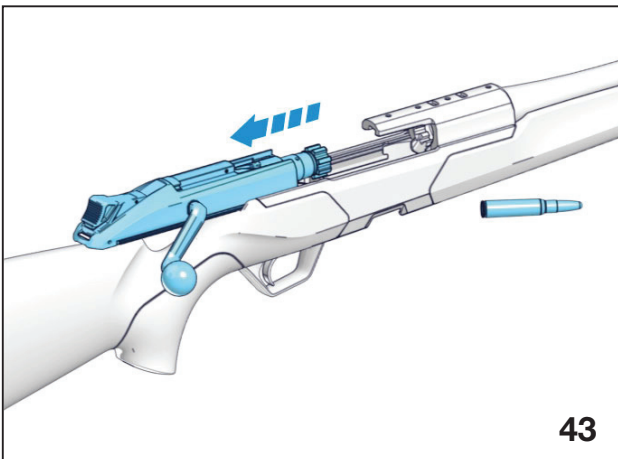
Slide out the magazine.

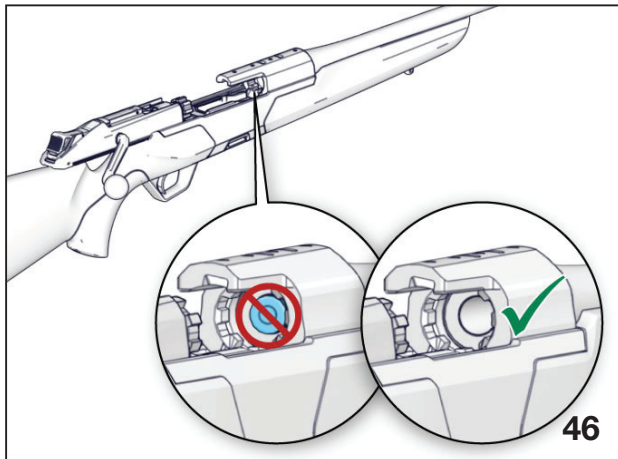


Close the carrier.



Move the carrier back to eject any cartridge from the chamber.



**TRIGGER PULL ADJUSTMENT****! WARNING**

ALL ASSEMBLY, DISASSEMBLY AND MAINTENANCE PROCEDURES MUST BE CARRIED OUT WITH THE FIREARM UNLOADED (CARTRIDGE CHAMBER, RECEIVER AND MAGAZINE EMPTY).

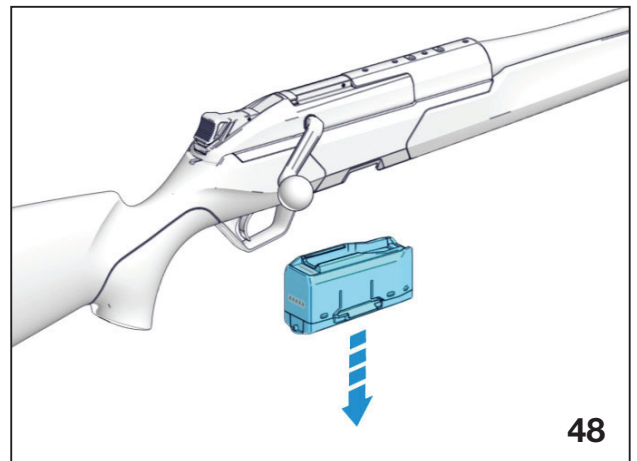
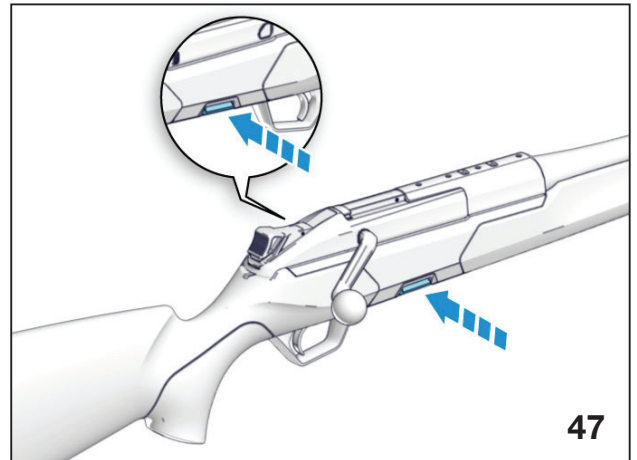
**! WARNING**

DURING ASSEMBLY, DISASSEMBLY AND MAINTENANCE PROCEDURES, NEVER POINT A FIREARM AT SOMEONE OR AT HARD OR FLAT SURFACES. ALWAYS TREAT A FIREARM AS IF IT WERE LOADED (SEE POINTS 1, 2 AND 4 OF THE "BASIC SAFETY RULES").

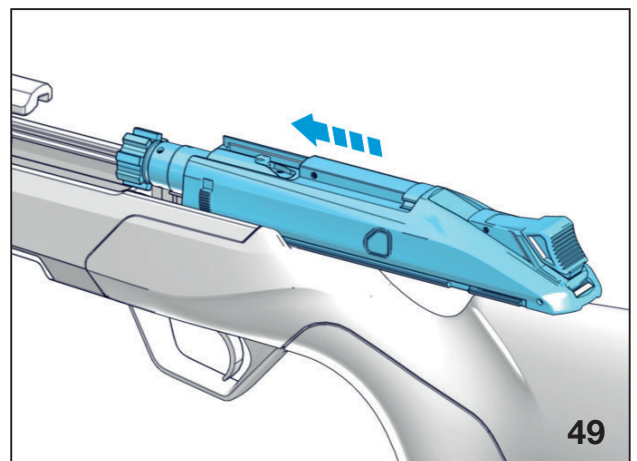
**! CAUTION**

It is advisable to carry out the assembly operations over a table to catch any components if they fall.

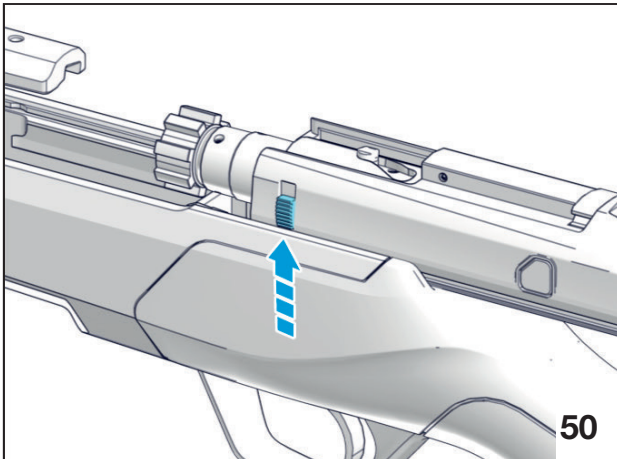
Press both release buttons and remove the magazine.



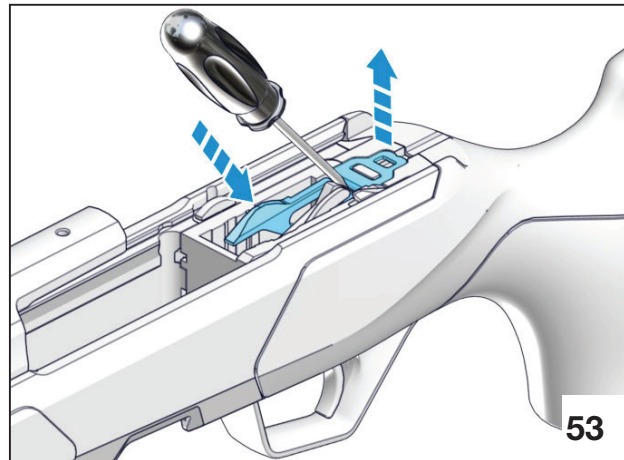
Open the carrier and move it forwards a few millimeters.



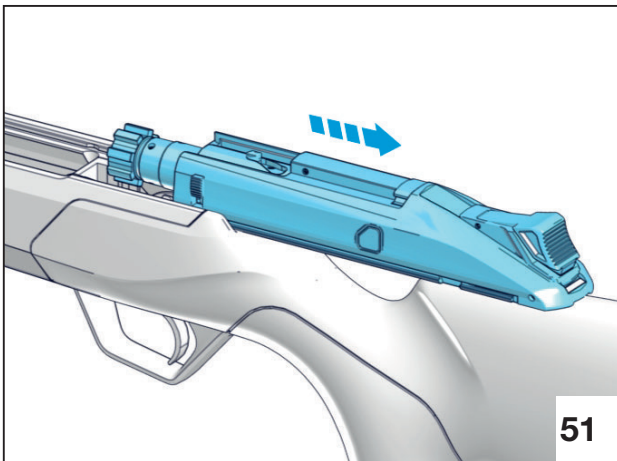
Push the carrier release button upwards.



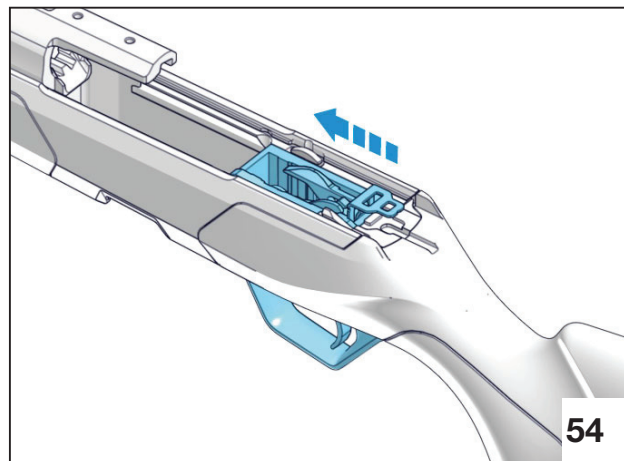
Gently press the safety and insert a flat-head screwdriver into the trigger group latch to lift the latch itself.



Slide the carrier out completely.

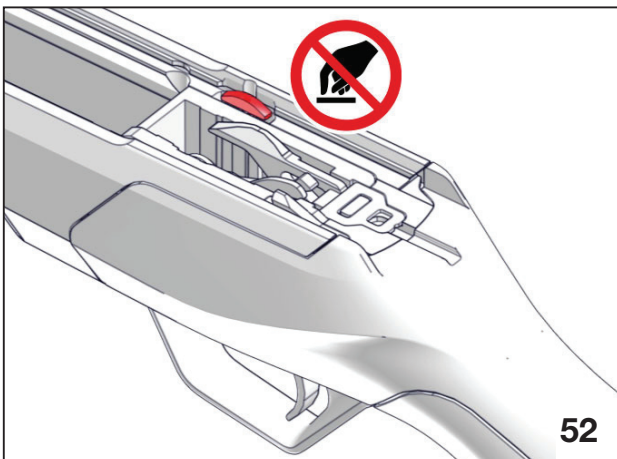


Slide the trigger group forward.

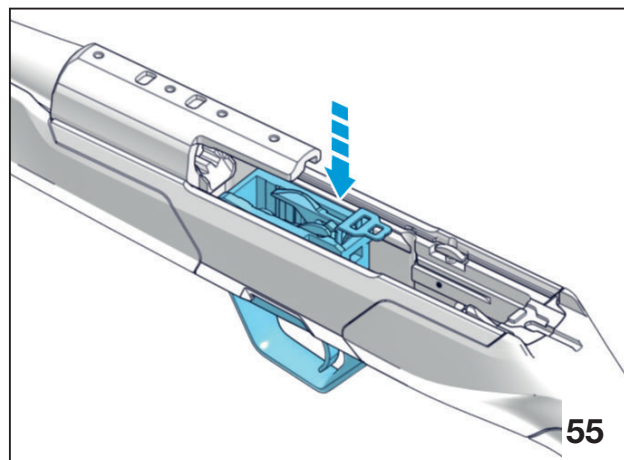


### Notice

Carefully follow the instructions below and avoid touching the recoil lever bar.



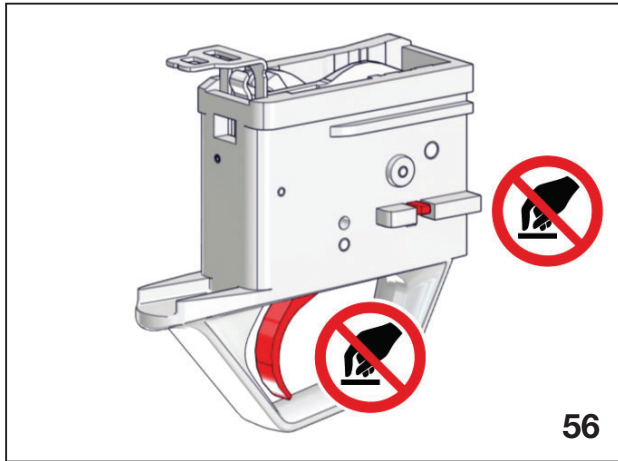
Slide the trigger group down.



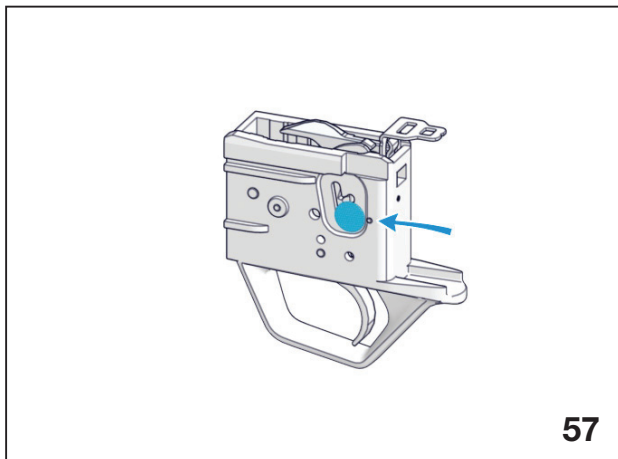


**! WARNING**

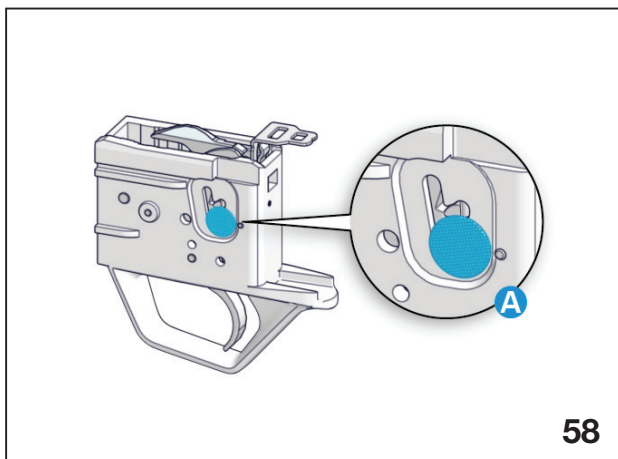
**DO NOT TOUCH THE PARTS NOT EXPRESSLY MENTIONED HERE (TRIGGER AND BOLT CARRIER LEVER).**



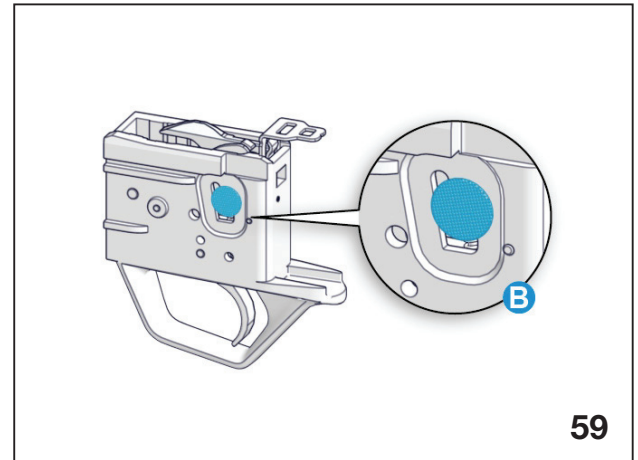
On the left side of the group, identify the trigger weight adjustment button.



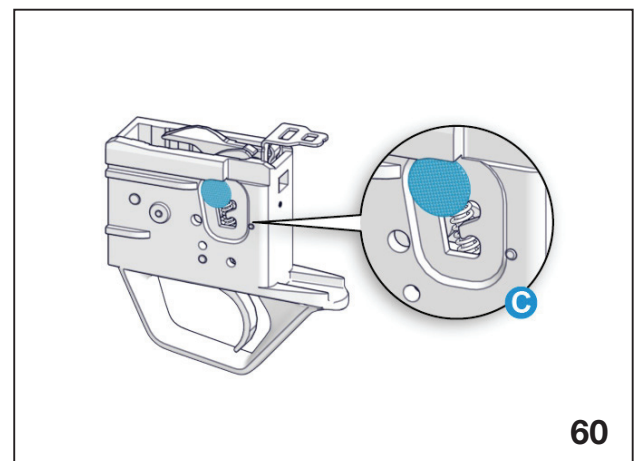
Position **(A)**: factory setting.



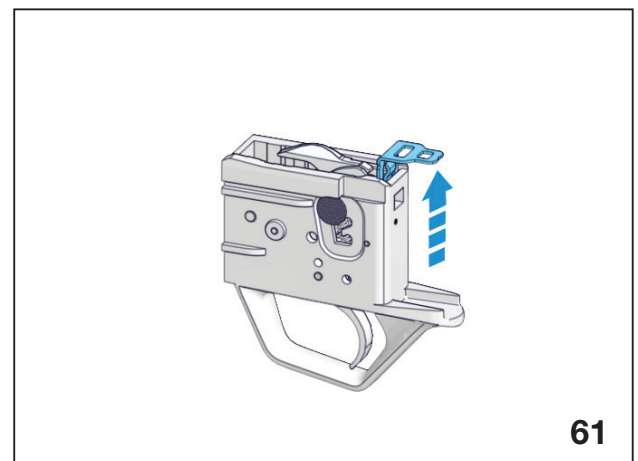
Position **(B)**: weight reduced by 7 oz compared to factory setting.



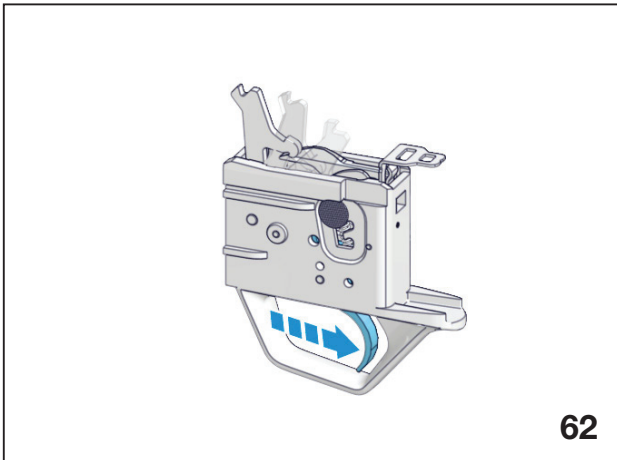
Position **(C)**: weight reduced by 14 oz compared to factory setting.



At the end of adjustment, make sure that the trigger latch is at the end of its travel, by pulling it upwards.



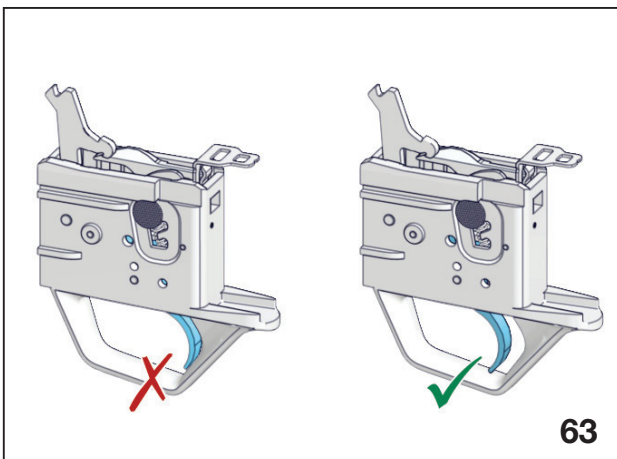
Before refitting the trigger housing, pull the trigger to release the hammer.



## **! WARNING**

**KEEP YOUR FINGERS OUT OF THE WAY OF THE MOVING HAMMER; THERE IS A DANGER THEY COULD BE CRUSHED.**

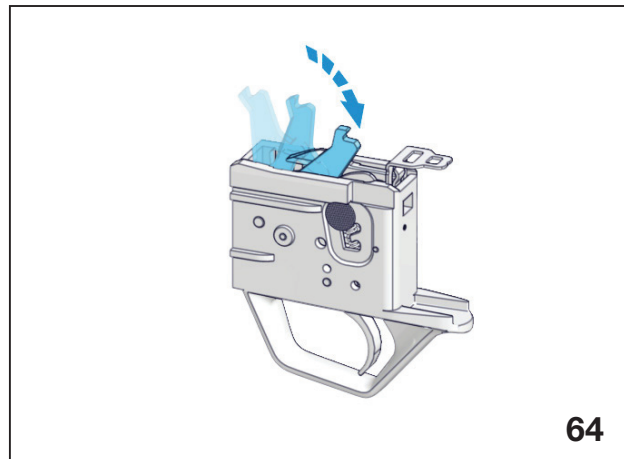
Make sure that the trigger returns to the starting position while the hammer is still un-cocked.



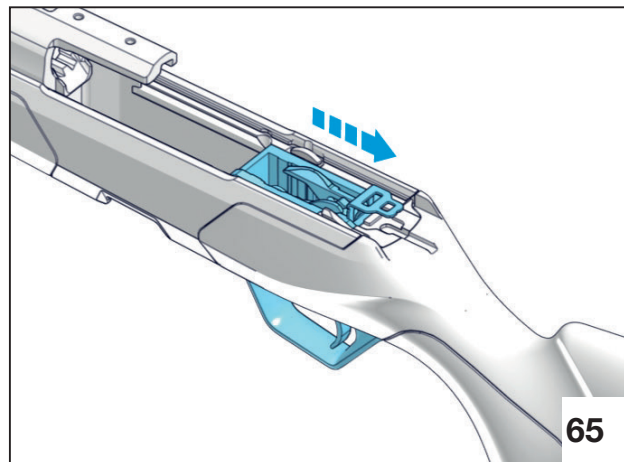
## **! WARNING**

**IF THE TRIGGER DOES NOT RETURN TO ITS STARTING POSITION, TAKE THE FIREARM TO AN ASSISTANCE CENTRE AUTHORISED BY THE MANUFACTURER AND/OR TO YOUR LOCAL OFFICIAL DEALER.**

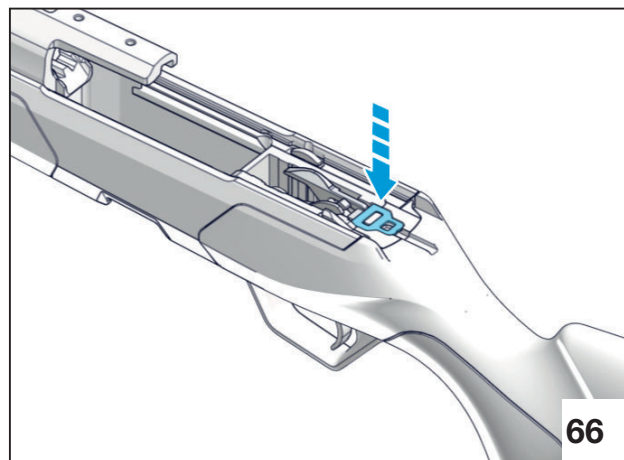
Cock the hammer and the recoil lever.



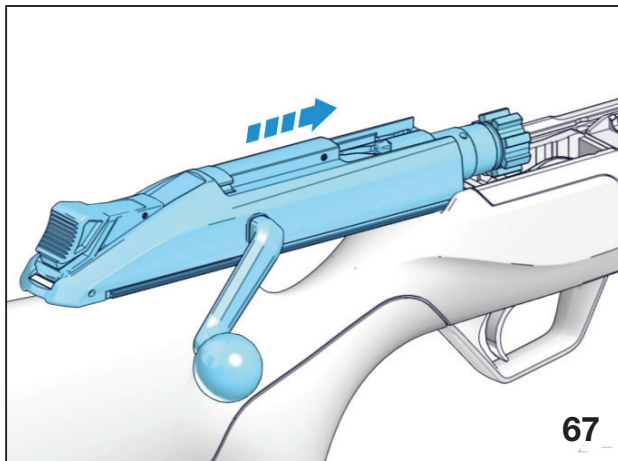
Reposition the trigger group correctly in the receiver.



Press the safety and then the latch to lock the trigger group.



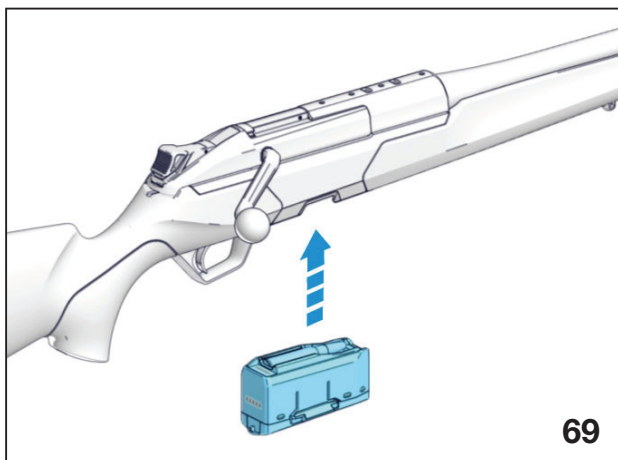
Proceed to fit the bolt carrier.



Make sure the guides are correctly coupled and that the bolt head is in the open position.



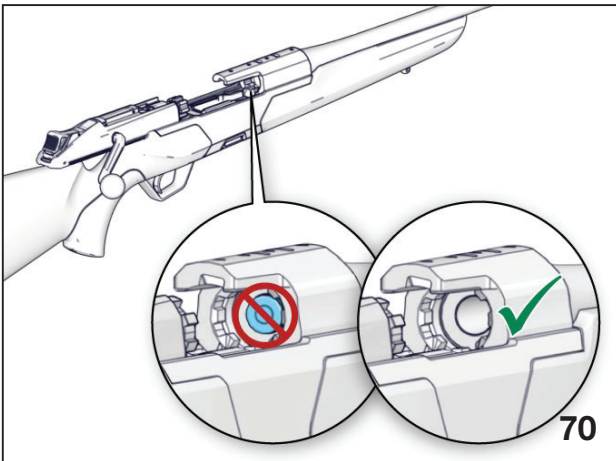
Insert the magazine into its seating.



## MAINTENANCE

Clean and lubricate your firearm any time combustion residues, grease or dirt are deposited in any of the mechanisms. Cleaning and lubrication of the firearm after each use is the best way of ensuring that the components are protected against combustion corrosion or rusting from use in humid or salty environments.

At the end of a day's shooting, carry out the Routine Maintenance as indicated below.



### **! WARNING**

**ALL ASSEMBLY, DISASSEMBLY AND MAINTENANCE PROCEDURES MUST BE CARRIED OUT WITH THE FIREARM UNLOADED (CARTRIDGE CHAMBER, RECEIVER AND MAGAZINE EMPTY).**

### **! WARNING**

**DURING ASSEMBLY, DISASSEMBLY AND MAINTENANCE PROCEDURES, NEVER POINT A FIREARM AT SOMEONE OR AT HARD OR FLAT SURFACES. ALWAYS TREAT A FIREARM AS IF IT WERE LOADED (SEE POINTS 1, 2 AND 4 OF THE "BASIC SAFETY RULES").**

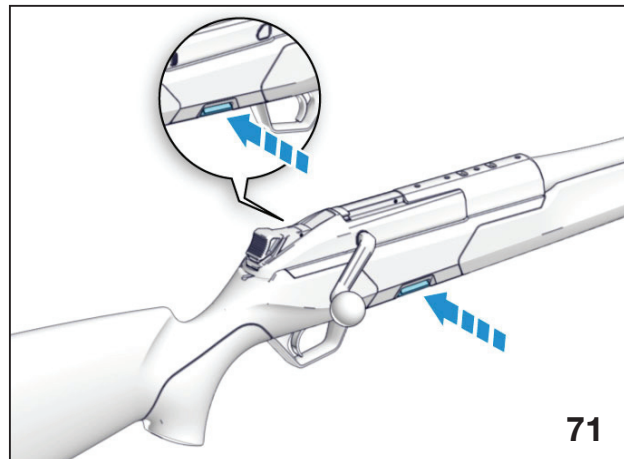
### **! WARNING**

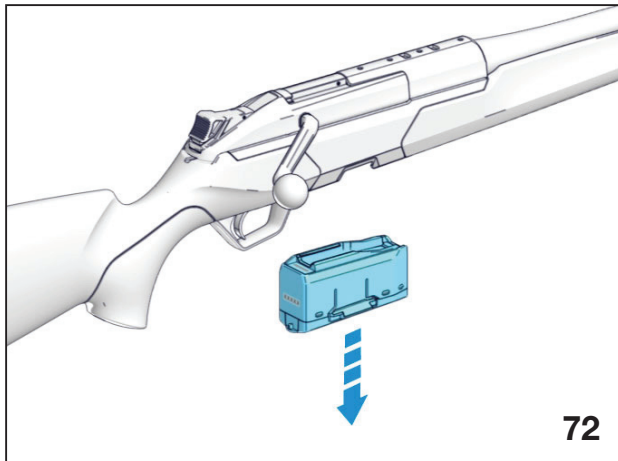
**DO NOT ATTEMPT TO CARRY OUT REPAIRS TO ANY FIREARM WITHOUT PROPER KNOWLEDGE OR TRAINING. NEVER ALTER PARTS OR USE REPLACEMENT PARTS NOT MANUFACTURED BY BERETTA. ANY ALTERATIONS OR ADJUSTMENTS THAT MAY BE NECESSARY FOR FIREARM OPERATION SHOULD BE PERFORMED BY THE MANUFACTURER OR BY ITS LOCAL AUTHORIZED DISTRIBUTOR.**

### **! CAUTION**

It is advisable to carry out the assembly operations over a table to catch any components if they fall.

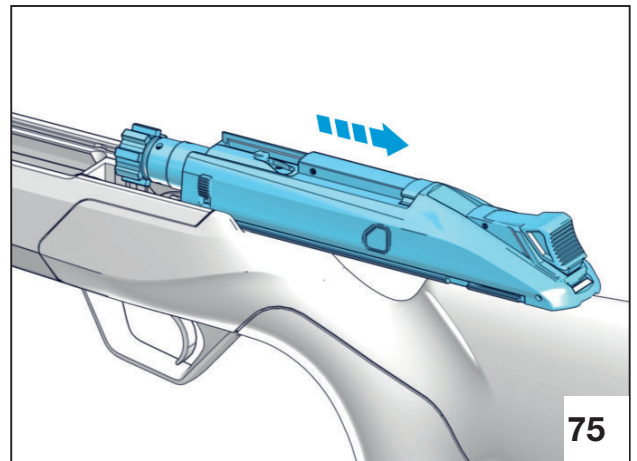
Press both release buttons to free the magazine.





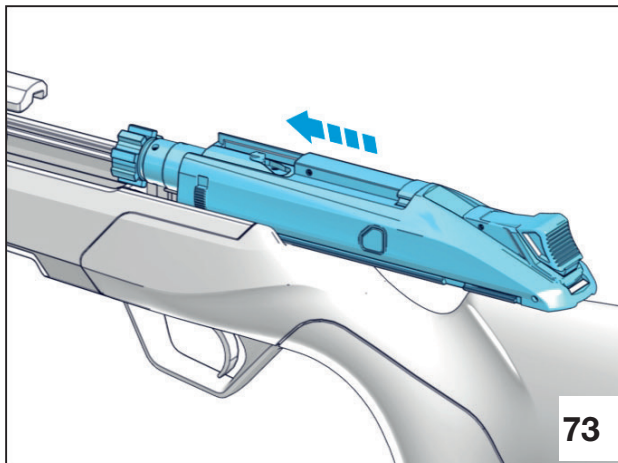
72

Slide the carrier out completely.



75

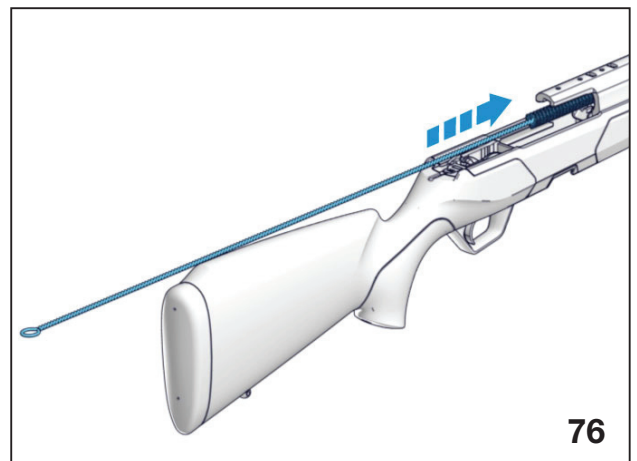
Slightly move the bolt carrier forward.



73

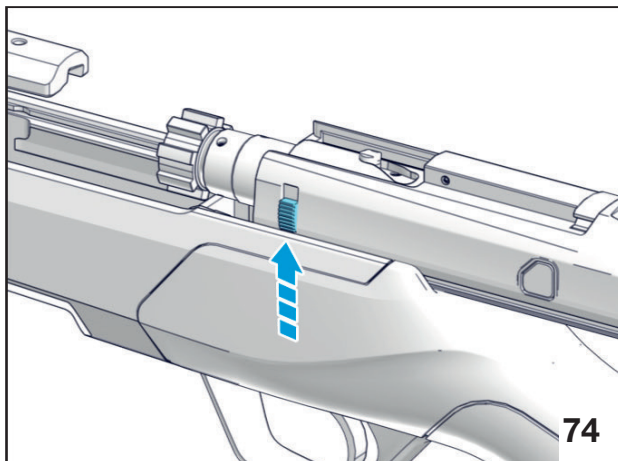
## BARREL

Carefully clean the inside of the barrel with a soft cloth (flannel). If necessary, use a bronze brush or a cloth soaked with Beretta Gun Oil.



76

Push the carrier release button upward.



74

Thoroughly clean the locking shoulders on the barrel breech.

Pull a soft, clean cloth through the barrel.

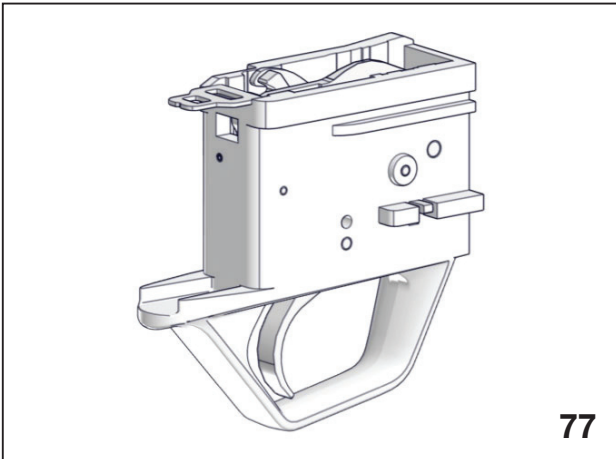
Lightly lubricate the inside of the barrel with a soft clean cloth soaked in Beretta Gun Oil.

Check the barrel. The barrel and cartridge chamber must be clean and free from obstructions.

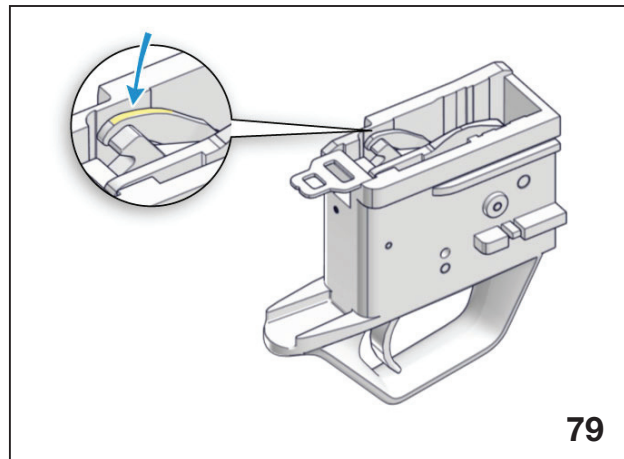
## **! WARNING**

**EXCESS OIL OR GREASE OBSTRUCTING THE BARREL, EVEN PARTIALLY, IS VERY DANGEROUS WHEN SHOOTING AND MAY CAUSE DAMAGE TO THE FIREARM AND SERIOUS INJURY TO THE SHOOTER AND TO BYSTANDERS. NEVER SPRAY OR APPLY OIL ON THE CARTRIDGES. USE LUBRICANTS PROPERLY. YOU ARE RESPONSIBLE FOR THE PROPER CARE AND MAINTENANCE OF YOUR FIREARM.**

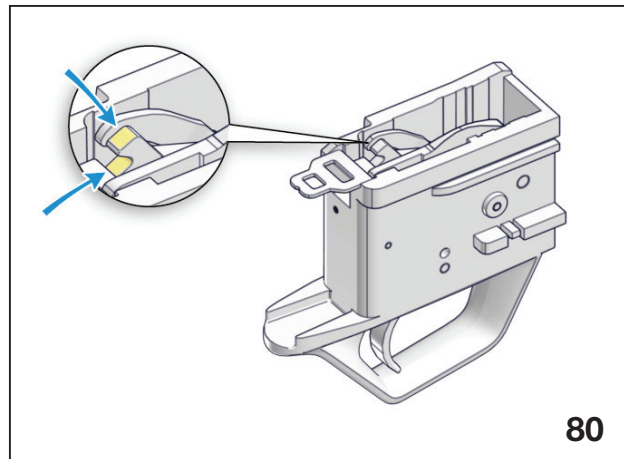
### **TRIGGER MECHANISM**



recoil lever;

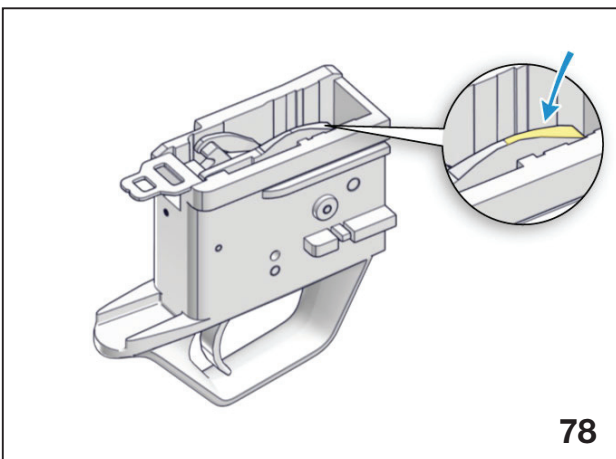


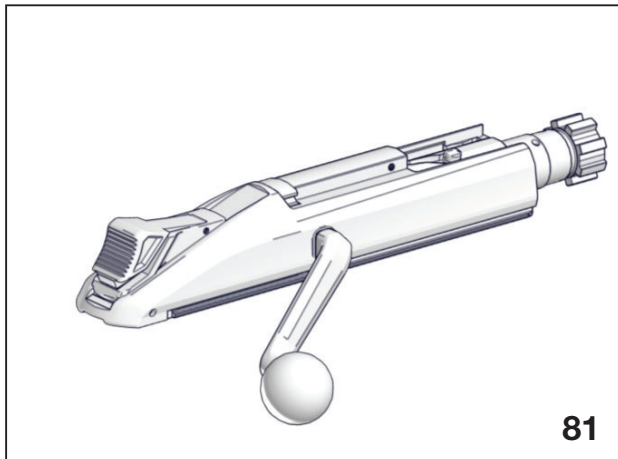
hammer profile.



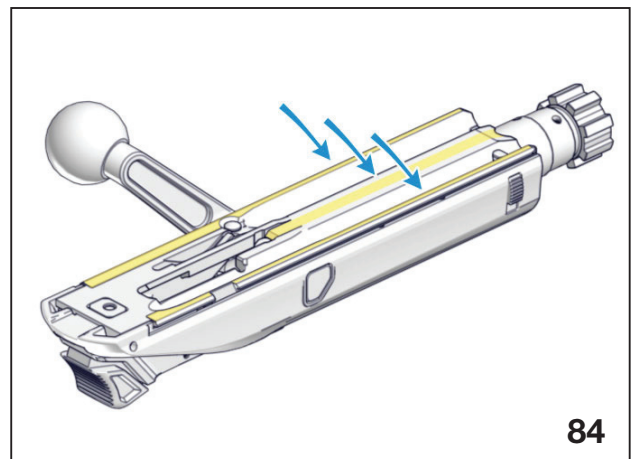
Proceed to remove the group, as described in the section “Trigger pull adjustment” on page 21.

Slightly lubricate the safety;



**BOLT CARRIER**

the central and side sliders.

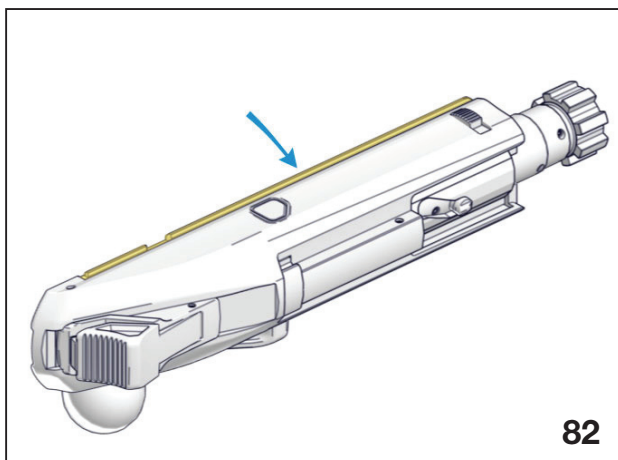


** Notice**

The breech bolt assembly needs only to be disassembled in order to clean its components.

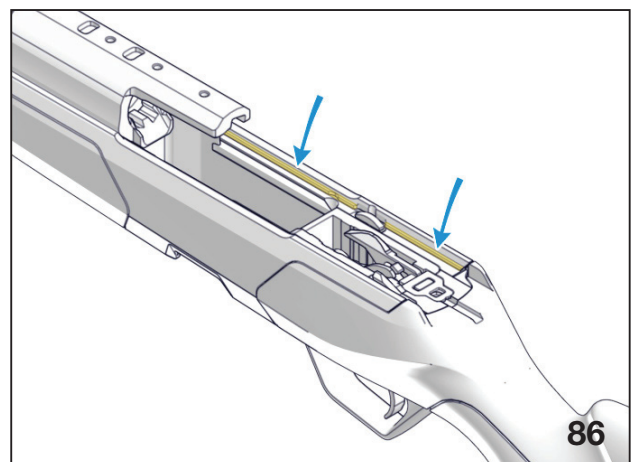
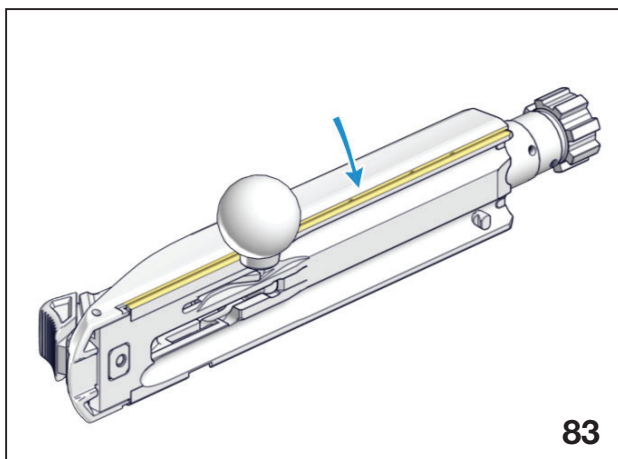
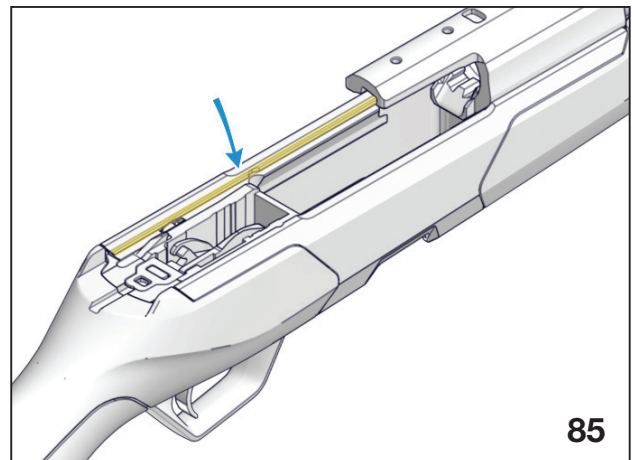
Lightly lubricate:

the rails for coupling to the receiver;

**RECEIVER**

Spray the parts with Beretta Gun Oil and clean.

After drying the parts thoroughly with a soft cloth, lubricate the internal bolt carrier guides.



Refit the trigger mechanism (see the proce-

dures described in the section “Trigger pull adjustment” on page 21).

Refit the bolt carrier, making sure the guides are correctly coupled and that the bolt head is in the open position.

 **WARNING**

**ALWAYS STORE YOUR FIREARM SO THAT CHILDREN OR OTHER PERSONS NOT FAMILIAR WITH FIREARMS CANNOT GAIN ACCESS TO IT. ALWAYS UNLOAD YOUR FIREARM AND LOCK IT AWAY. STORE THE AMMUNITION IN A SEPARATE LOCKED LOCATION. (SEE POINT 3 OF THE BASIC SAFETY RULES).**

 **CAUTION**

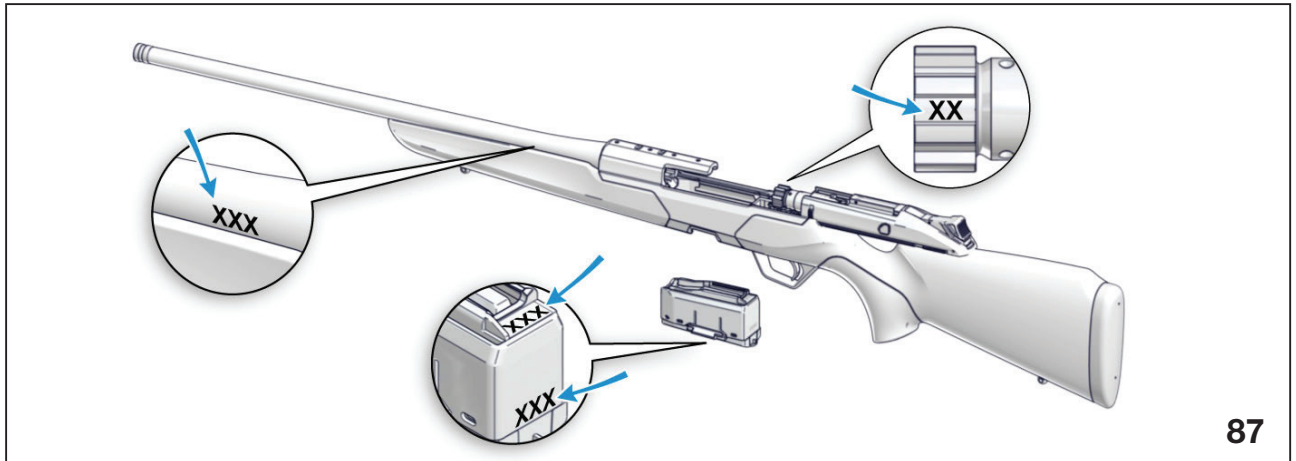
If the firearm is not to be used for a long time, keep it lubricated and disassembled (see the chapters “Maintenance” on page 26 and “Storage” on page 35).



# CALIBER CONVERSION

## **! WARNING**

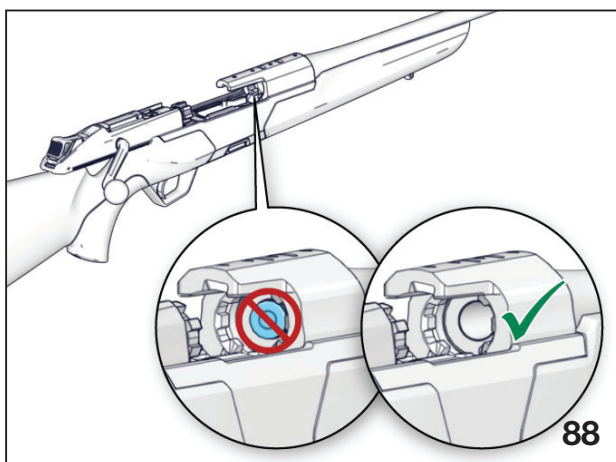
**THE CALIBER MUST ALWAYS MATCH THE FOLLOWING: BOLT HEAD, BARREL AND MAGAZINE.**



87

Caliber table

CALIBER	BOLT HEAD	MAGAZINE
300 Win Mag	MA	A
30-06 Sping.	ST	B
308 Win		C
6,5 Creedmoor		



88

**MAINTENANCE PROCEDURES MUST BE CARRIED OUT WITH THE FIRE-ARM UNLOADED (CARTRIDGE CHAMBER, RECEIVER AND MAGAZINE EMPTY).**

## **! WARNING**

**ALL ASSEMBLY, DISASSEMBLY AND**

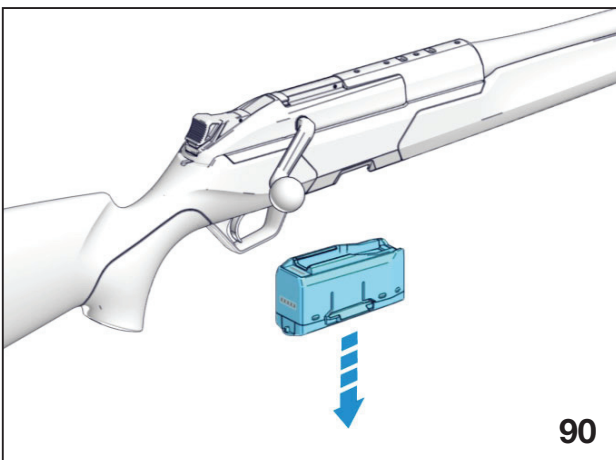
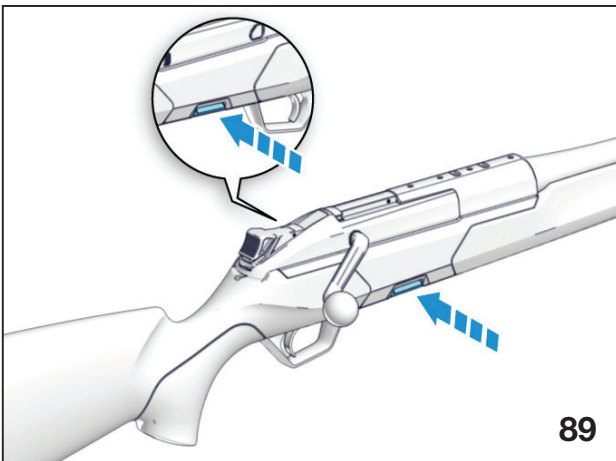
**! WARNING**

**DURING ASSEMBLY, DISASSEMBLY AND MAINTENANCE PROCEDURES, NEVER POINT A FIREARM AT SOMEONE OR AT HARD OR FLAT SURFACES. ALWAYS TREAT A FIREARM AS IF IT WERE LOADED (SEE POINTS 1, 2 AND 4 OF THE "BASIC SAFETY RULES").**

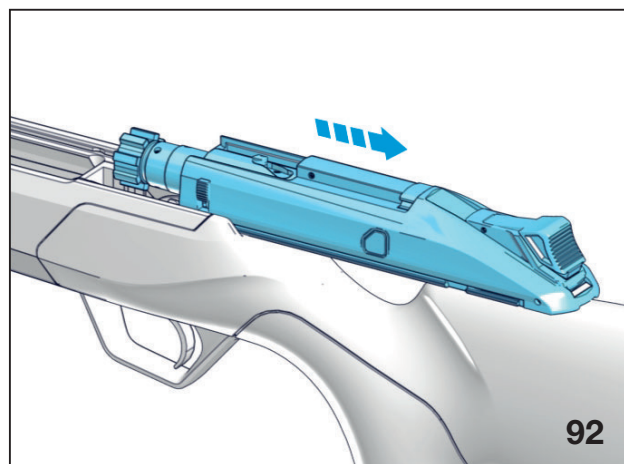
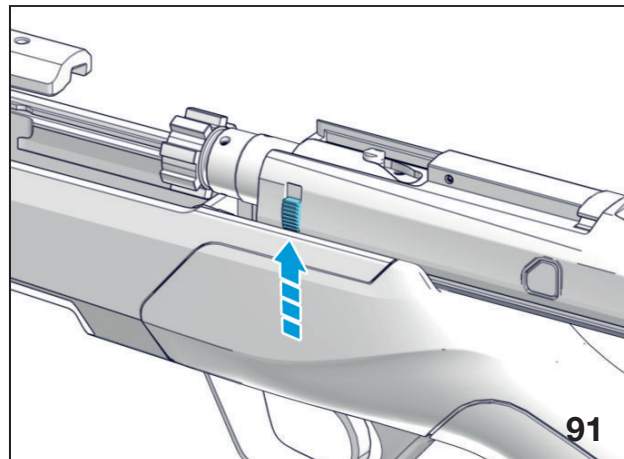
**CAUTION**

It is advisable to carry out the assembly operations over a table to catch any components if they fall.

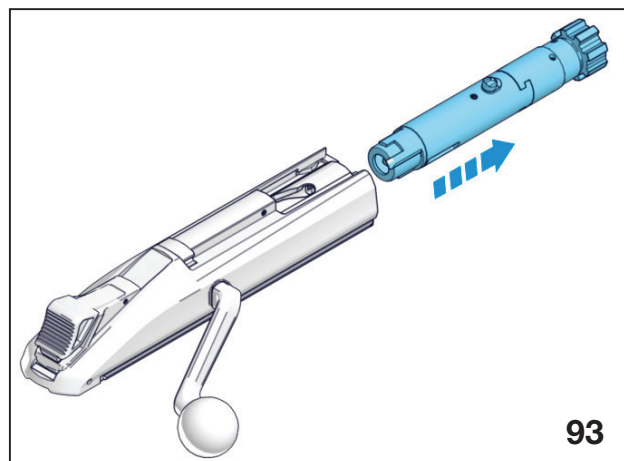
Remove the magazine.



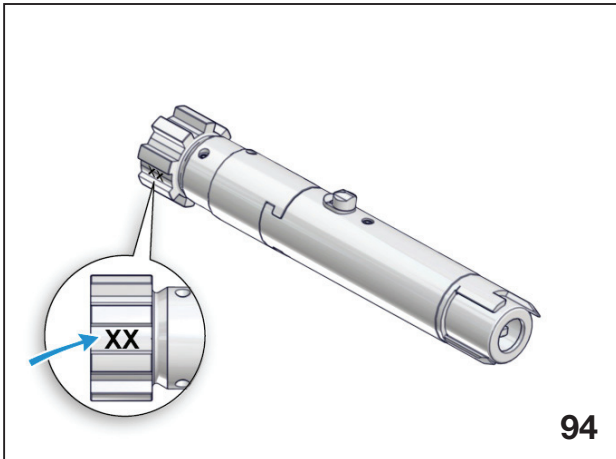
Remove the bolt carrier.



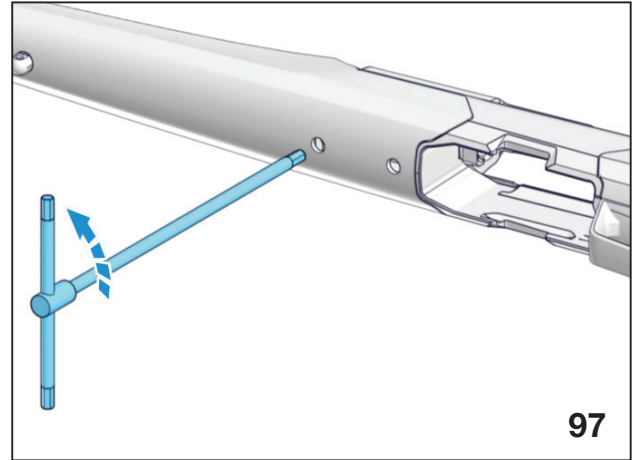
Take out the bolt head.



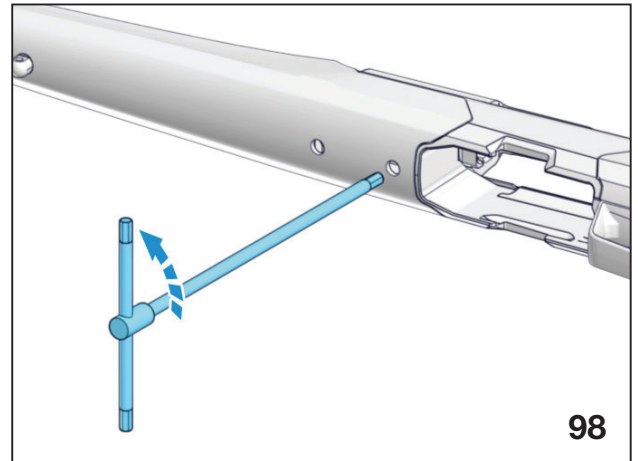
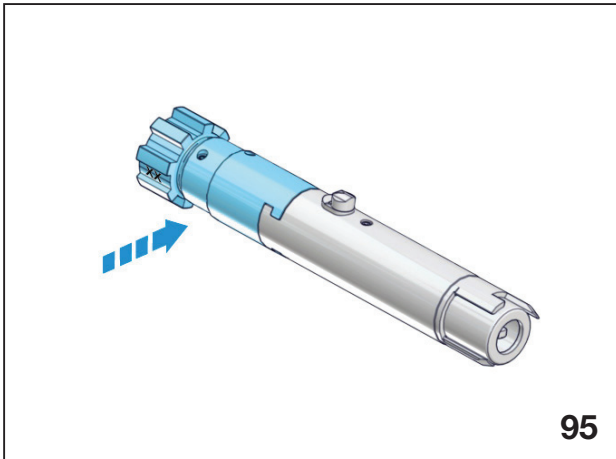
The caliber is stated on the left side.



Loosen the two barrel fastening screws (7/32" mm Allen key).

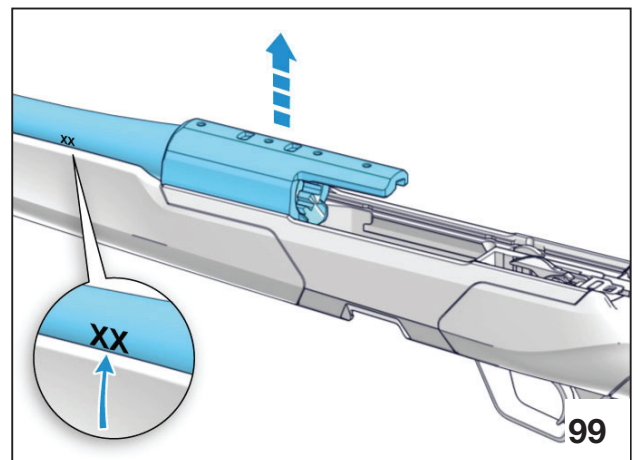
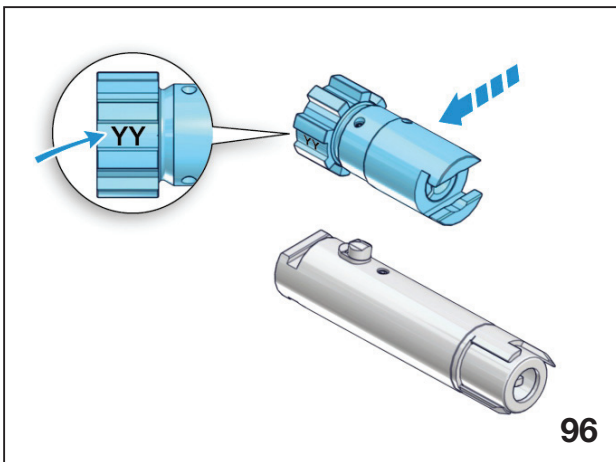


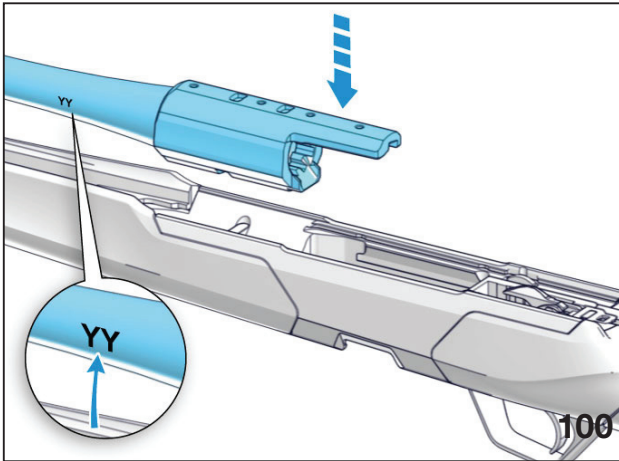
Fit the new caliber bolt head taking care to face the ejection port the right way (see the "ASSEMBLY" paragraph on page 10).



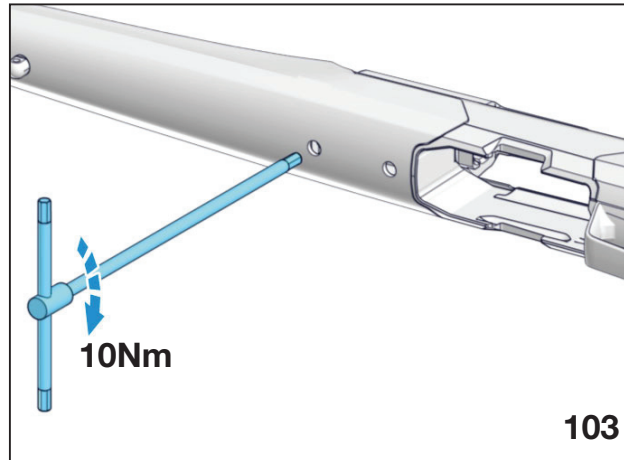
The screws will not come out, as they are held in place by the forend.

Slide off the barrel and replace it with a new barrel in the correct caliber.



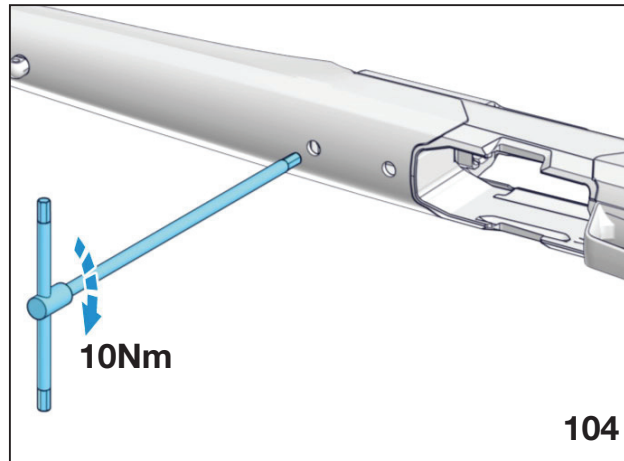
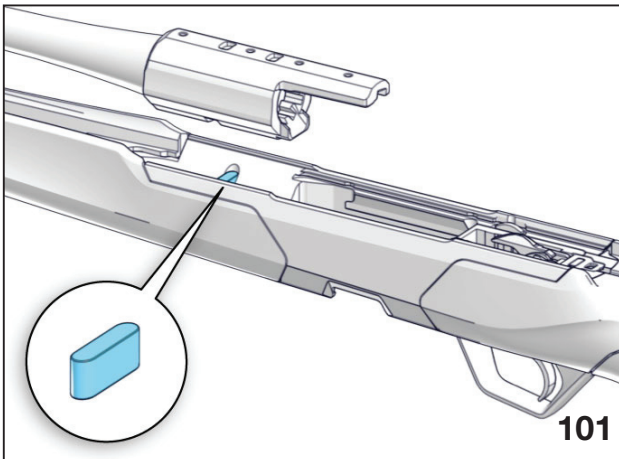


Tighten the fastening screws to a torque of 10Nm.

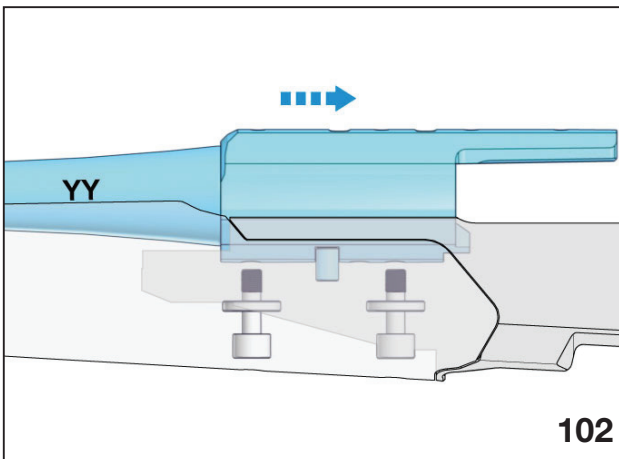


## **! WARNING**

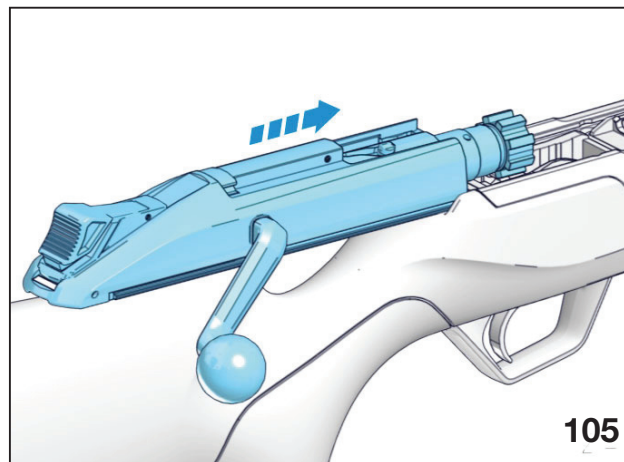
**CHECK THE CORRECT POSITION OF THE BREECH BLOCK.**



Check the correct position of the new barrel.

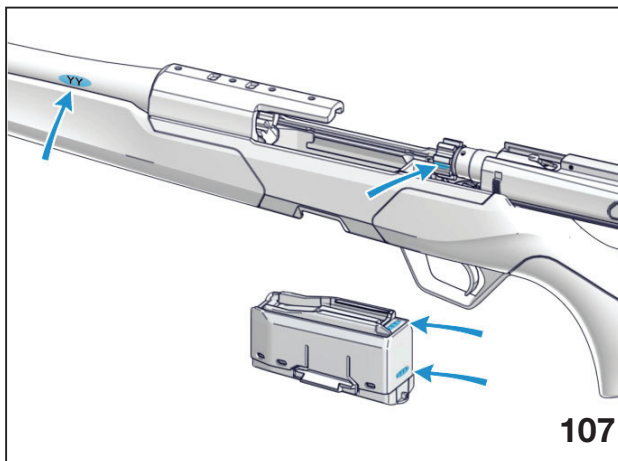


Refit the bolt carrier, making sure the guides are correctly coupled and that the bolt head is in the open position.





Use a new magazine in the correct caliber.



## STORAGE

### **WARNING**

**STORE YOUR RIFLE SO THAT CHILDREN CANNOT GAIN ACCESS TO IT. TO REDUCE THE RISK OF ACCIDENTS INVOLVING CHILDREN, UNLOAD YOUR RIFLE, LOCK IT AWAY AND STORE THE AMMUNITION IN A SEPARATE LOCKED LOCATION.**

### **CAUTION**

Store the rifle disassembled (barrels/fore-end and receiver/stock) in the supplied case. Before storage, always check the conditions of the rifle and its case. Make sure that they are perfectly dry. Moisture and water drops could cause damage to the rifle.

### **CAUTION**

Do not store the rifle in a leather, canvas or fabric case. These materials attract moisture, even though they may appear to be perfectly dry.

## WARRANTY

The Warranty and extension of the warranty period is packed with your rifle Beretta. Please refer to the WARRANTY and the related instructions should a repair service be required under the warranty period.

### **Notice**

Wholesalers, dealers or gunsmiths are not authorized to carry out any Warranty repair or adjustment on behalf of the Manufacturer (unless they are a Repair Point authorized by the Manufacturer and/or by its Local Official Distributors).

### **Notice**

The warranty is only valid for the original purchaser.



BRXI  
RIFLE  
USER MANUAL



FABBRICA D'ARMI P. BERETTA S.P.A.  
VIA PIETRO BERETTA, 18  
I 25063 GARDONE VAL TROMPIA, BRESCIA, ITALY

[BERETTA.COM](http://BERETTA.COM)