



92XI

&

92GS

PISTOL
USER MANUAL

 BERETTA

Contents

Basic Safety Rules	3
90 Series Beretta Parts Compatibility	8
Nomenclature/Main Parts.....	9
Description	11
Specifications	13
Safety Features	14
Ammunition	14
Loading.....	15
Firing.....	16
Unloading the Pistol and Chamber	17
Disassembly	18
Maintenance	21
Assembly.....	22
Red Dot Sight	22
Troubleshooting.....	24
Storage.....	24
Warranty	25
Accessories	25
Massachusetts Addendum	25
92XI SAO Parts List.....	26
92GTS SA/DA Parts List.....	29

Titles: Warning, Caution, and Notice headings are defined as follows:



THE PURPOSE OF A WARNING TITLE IS TO DRAW ATTENTION TO POTENTIALLY DANGEROUS SITUATIONS THAT COULD RESULT IN PERSONAL INJURY.



A CAUTION concerns potential damage to the firearm.



A Notice highlights important procedures and statements that require more emphasis than general text.

Unless otherwise stated, the firearm described here is the right-handed version.
Text and illustrations are subject to change without prior warning.

 **WARNING**

THIS MANUAL CONTAINS IMPORTANT WARNINGS THAT NEED TO BE UNDERSTOOD BEFORE USING THIS FIREARM. PLEASE KEEP THIS COPY OF THE INSTRUCTION MANUAL FOR FUTURE CONSULTATION. IN CASE OF CHANGE OF OWNERSHIP, ALWAYS PROVIDE A COPY OF THIS MANUAL. IF THIS FIREARM IS LOANED, GIVEN TO OTHERS TO USE, OR SOLD ON, MAKE SURE THAT THIS INSTRUCTION MANUAL ACCOMPANIES IT AS A REFERENCE FOR SAFETY PROCEDURES AND OPERATION.

 **WARNING**

FIREARMS CAN BE DANGEROUS AND CAN POTENTIALLY CAUSE SERIOUS INJURY, DAMAGE TO PROPERTY OR DEATH, IF HANDLED IMPROPERLY. THE FOLLOWING SAFETY RULES ARE AN IMPORTANT REMINDER THAT YOU ARE RESPONSIBLE FOR THE SAFETY OF YOUR FIREARM.

 **WARNING**

ALWAYS MAKE SURE THAT THE SAFETY IS FULLY ENGAGED UNTIL YOU ARE READY TO SHOOT. CAREFULLY READ THE "SAFETY" CHAPTER IN THIS MANUAL BEFORE BEGINNING TO HANDLE THE FIREARM.

 **WARNING**

CAREFULLY READ ALL PARTS IN THE MANUAL BEFORE USING THIS FIREARM. MAKE SURE THAT ANY PERSON USING OR HAVING ACCESS TO THIS FIREARM HAS READ AND COMPLETELY UNDERSTOOD ALL OF THE INSTRUCTIONS IN THIS MANUAL PRIOR TO USE OR ACCESS.

WE RECOMMEND THE USE OF ORIGINAL BERETTA SPARE PARTS AND ACCESSORIES. THE USE OF SPARE PARTS AND ACCESSORIES FROM OTHER MANUFACTURERS COULD CAUSE MALFUNCTIONS AND/OR BREAKAGES THAT WILL NOT BE COVERED BY THE BERETTA WARRANTY.

 **WARNING**

BERETTA AND/OR ITS LOCAL OFFICIAL DISTRIBUTORS ASSUME NO LIABILITY FOR PRODUCT MALFUNCTION OR FOR PHYSICAL INJURY OR DAMAGE TO PROPERTY RESULTING IN WHOLE OR IN PART FROM CRIMINAL OR NEGLIGENT USE OF THE PRODUCT, IMPROPER OR CARELESS HANDLING, INTENTIONAL OR ACCIDENTAL DISCHARGE, UNAUTHORIZED MODIFICATIONS, USE OF DEFECTIVE, IMPROPER, HAND-LOADED, RELOADED OR REMANUFACTURED AMMUNITION, MISUSE OR NEGLIGENCE OF THE PRODUCT, OR OTHER FACTORS BEYOND MANUFACTURER'S DIRECT AND IMMEDIATE CONTROL.

IN ADDITION TO THE BASIC SAFETY RULES, THERE ARE OTHER SAFETY RULES PERTAINING TO THE LOADING, UNLOADING, DISASSEMBLY, ASSEMBLY AND USE OF THIS FIREARM, LOCATED THROUGHOUT THIS MANUAL.

BASIC SAFETY RULES

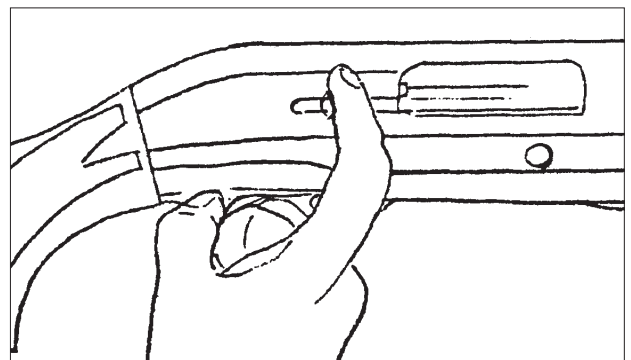
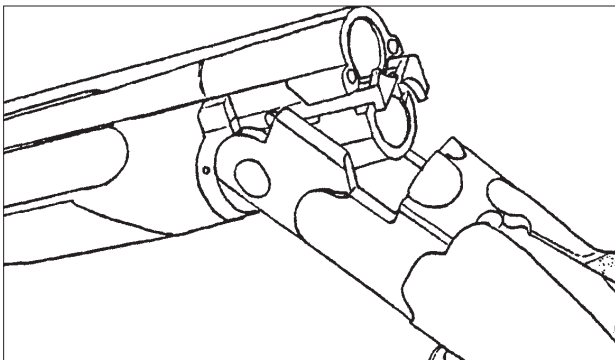
1. NEVER POINT A FIREARM AT SOMETHING THAT IS NOT SAFE TO SHOOT.

Never let the muzzle of a firearm point at any part of your body or at another person. This is especially important when loading or unloading the firearm. When you are shooting at a target, know what is behind it. Some bullets can travel over a mile. If you miss your target or if the bullet penetrates the target, it is your responsibility to ensure that the shot does not cause unintended injury or damage.



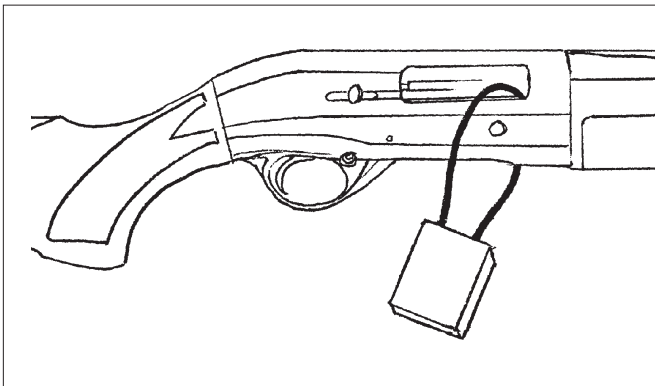
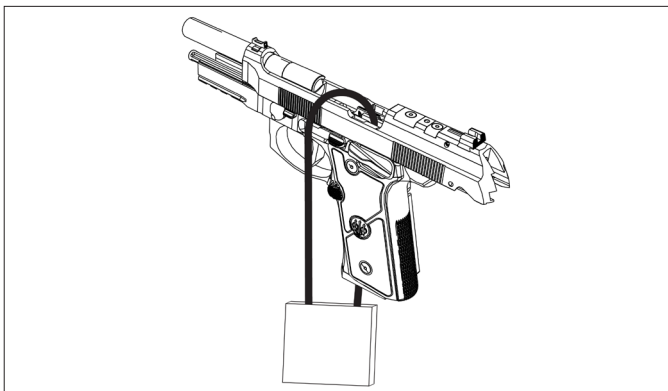
2. ALWAYS HANDLE A FIREARM AS IF IT WERE LOADED.

Never assume that a firearm is unloaded. The only certain way to ensure there are no cartridges in a firearm is to open the chamber and visually and physically examine the inside to see if a round is present. Removing or unloading the magazine will not guarantee that a firearm is unloaded or cannot fire. Firearms can be checked by cycling or removing rounds and by then opening the chamber so that a visual inspection of the chamber for any remaining rounds can be made.



3. STORE YOUR FIREARM SO THAT IT IS WELL OUT OF CHILDREN'S REACH.

It is your responsibility to ensure that children under the age of 21 or other unauthorized persons cannot gain access to your firearm. To reduce the risk of accidents involving children, unload your firearm, lock it in a safe place, and store the ammunition in a separate locked location. Please note that devices intended to prevent accidents such as: cable locks, chamber plugs, etc., may not prevent use or misuse of your firearm by a determined person. Firearm storage in a steel gun safe may be more appropriate to reduce the likelihood of intentional misuse of a firearm by a child or unauthorized person.



4. NEVER SHOOT AT WATER OR AT HARD SURFACES.

Shooting at the surface of water or at a rock or other hard surfaces increases the chance of ricochets or fragmentation of the bullet or shot, which can result in the projectile striking an unintended or peripheral target.

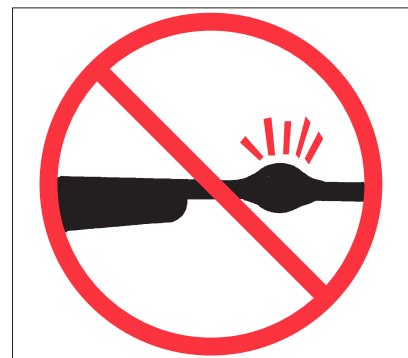


5. MAKE SURE YOU KNOW THE SAFETY FEATURES OF THE FIREARM YOU ARE USING, BUT REMEMBER: SAFETY DEVICES ARE NOT A SUBSTITUTE FOR SAFE HANDLING PROCEDURES.

Never rely solely on a safety device to prevent an accident. It is imperative that you know and use the specific safety devices of the particular firearm you are handling, but the best way to prevent accidents is to follow the safe handling procedures described in these safety rules and elsewhere in the product manual. To further familiarize yourself with the proper use of this or other firearms, take a Firearms Safety Course taught by an expert in firearm use and safety procedures.

6. PROPERLY MAINTAIN YOUR FIREARM.

Store and carry your firearm so that dirt or lint does not accumulate in the working parts. Clean and oil your firearm after each use, following the instructions provided in this manual, to prevent corrosion, damage to the barrel or the accumulation of impurities which can prevent use of the firearm in an emergency. Always check the barrel and chamber(s) before loading to ensure that they are clean and free from obstructions. Firing with an obstruction in the barrel or chamber can rupture the barrel and injure you or others nearby. In the event you hear an unusual noise when shooting, stop firing immediately, engage the manual safety and unload the firearm. Make sure the chamber and barrel are free from any obstruction, such as a bullet blocked inside the barrel due to defective or improper ammunition.



7. USE SUITABLE AMMUNITION.

Only use factory-loaded, new ammunition manufactured to industry specifications: CIP (Europe and elsewhere), SAAMI® (U.S.A.). Be certain that every round you use is in the proper caliber and type for the particular firearm. The caliber of the firearm is clearly marked on the barrel. The use of reloaded or remanufactured ammunition can increase the likelihood of excessive cartridge pressures, case-head ruptures or other defects in the ammunition that can cause damage to your firearm and injury to yourself or others nearby.

8. ALWAYS WEAR PROTECTIVE GLASSES AND EARPLUGS WHEN SHOOTING.

The chance that gas, gunpowder residue or metal fragments will blow back and injure a shooter who is firing a gun is rare; however, the injury that can be sustained in such circumstances can be severe, including the possible loss of eyesight. A shooter must always wear impact-resistant shooting glasses when firing any firearm. Noise-reducing earplugs or headphones will reduce the risk of damage to hearing caused by prolonged shooting activity.



9. NEVER CLIMB A TREE, FENCE OR OBSTRUCTION, AND NEVER JUMP OVER DITCHES WITH A LOADED FIREARM.

Open and empty the chamber(s) of your firearm and engage the manual safety before climbing up or down a tree or before climbing a fence or jumping over a ditch or other obstruction. Never pull or push a loaded firearm toward yourself or another person. Always unload a firearm, then visually and physically check to make sure that the magazine, loading mechanism and chamber(s) are unloaded, and the action is open before handing it to another person. Never take a firearm from another person unless it is unloaded, and was visually and physically checked to confirm it is unloaded. Only take a firearm when the action is open.



10. AVOID ALCOHOLIC BEVERAGES OR JUDGEMENT/REFLEX IMPAIRING MEDICATION WHEN SHOOTING.

Never drink and shoot. If you take medication that can impair motor reactions or judgment, do not handle a firearm while you are under the influence of this medication or alcohol.



11. NEVER TRANSPORT A LOADED FIREARM.

Always unload a firearm before putting it in a vehicle (chamber empty, magazine empty). Hunters and target shooters should load their firearm only at their destination, and only when they are ready to shoot. If you carry a firearm for self-protection, leaving the chamber unloaded can reduce the chance of unintentional discharge.

**12. LEAD WARNING.**

Discharging firearms in poorly ventilated areas, cleaning firearms, or handling ammunition may result in exposure to lead and other substances known to cause birth defects, reproductive harm, and other serious physical injury. Always use a firearm in a suitably ventilated area. Wash hands thoroughly after exposure to these substances.

**Notice**

It is your responsibility to know and abide by federal, state and local laws governing the sale, transportation and use of firearms in your area.

**WARNING**

THIS FIREARM HAS THE CAPABILITY OF TAKING YOUR LIFE OR THE LIFE OF SOMEONE ELSE!

ALWAYS BE EXTREMELY CAREFUL WITH YOUR FIREARM.

AN ACCIDENT IS ALMOST ALWAYS THE RESULT OF NOT FOLLOWING BASIC FIREARM SAFETY RULES.

BEFORE USING THE FIREARM OR CARRYING OUT ANY OPERATION IN THIS MANUAL, BE SURE TO CAREFULLY FOLLOW THE BASIC SAFETY RULES INDICATED ABOVE.

**WARNING**

ALWAYS ENSURE THAT THE SAFETY IS FULLY ENGAGED UNTIL READY TO FIRE.

IF THE GUN IS NOT EQUIPPED WITH A SAFETY, ALWAYS KEEP YOUR FINGER AWAY FROM THE TRIGGER UNTIL READY TO FIRE.

**Notice**

The Manufacturer and/or its Local Official Distributors assume no liability for product malfunction or for physical injury or property damage resulting in whole or in part from criminal or negligent use of the product, improper or careless handling, unauthorized modifications, use of defective, improper, hand-loaded, reloaded or remanufactured ammunition, customer misuse or neglect of the product, or other factors beyond manufacturer's direct and immediate control. In addition to the Basic Safety Rules, there are other Safety Rules pertaining to the loading, unloading, disassembly, assembly and use of this firearm, located throughout this manual.

**WARNING**

MAKE SURE THAT ANY PERSON USING OR HAVING ACCESS TO THIS FIREARM READS AND UNDERSTANDS THIS ENTIRE MANUAL PRIOR TO USE OR ACCESS.

IMPORTANT: ALWAYS KEEP THIS MANUAL WITH YOUR FIREARM. INCLUDE IT WITH THE PISTOL WHEN IT CHANGES OWNERSHIP OR WHEN IT IS LOANED OR PRESENTED TO ANOTHER PERSON.

IMPORTANT: WE RECOMMEND THE USE OF ORIGINAL BERETTA SPARE PARTS AND ACCESSORIES. THE USE OF OTHER MANUFACTURER'S SPARE PARTS AND ACCESSORIES COULD CAUSE MALFUNCTIONS AND/OR BREAKAGES THAT WILL NOT BE COVERED BY THE BERETTA WARRANTY.



CAUTION

It is YOUR responsibility to know and abide by Federal, State and Local laws governing the sale, transportation and use of firearms in your area.

Especially for U.S. consumers: For information about Firearm Safety Courses in your area, please visit the National Rifle Association's web site at www.nra.org.

90 SERIES BERETTA PARTS COMPATIBILITY

92XI Single Action Only (SAO) and 92GTS Double Action/Single Action (DA/SA) Full Size:		
	Yes	NO
92 Full size barrels	X	
Triggers	X	
Trigger bars	X	
Hammers		X
Hammer springs	X	
Vertec frame: 90 Vertec and M9A3/4 92X grips (including wraparounds)		X
92G Elite LTT, M9A3/4, 92X: 92 Vertec and M9A3/4 sights	X	
Full size guide rods	X	
Mag guide / magwell	X	
Magazines (compatible between Full size and Centurion)	X	
Mag releases	X	
Safeties and G kits		X
Takedown levers	X	
22lr Conversion kits (slide safety F/S or G type only)		X
Holsters compatible with legacy railed 90 series pistols	Compatible with certain 92X Performance Holsters available on Beretta.com	
92XI and 92GTS Centurion and Compact:		
	YES	NO
92 Centurion and compact barrels	X	
Triggers	X	
Trigger bars	X	
Hammers		X
Hammer springs	X	
92 Vertec and M9A3 grips (92X Centurion only)		X
92 Vertec and M9A3 sights	X	
Compact / Centurion guide rods	X	
Mag guide / magwell	X	
Mag releases	X	
Safeties		X
Takedown levers	X	
We recommend that parts replacement on your new 90 series pistol be performed by a qualified gunsmith or armorer. This list is provided as a courtesy guideline and is not intended to be an exhaustive list of all compatible components.		

NOMENCLATURE/MAIN PARTS

92XI Single Action Only (SAO) Shown

- | | | | |
|---|-------------------------------|----|------------------------------------|
| 1 | Combat crown barrel | 8 | Grip panels |
| 2 | Removable sights | 9 | Magazine |
| 3 | Disassembly lever | 10 | Beveled magazine well |
| 4 | Slide stop lever | 11 | Front and back strap checkering |
| 5 | Red dot optics blanking plate | 12 | Oversized magazine catch |
| 6 | Hammer | 13 | Metal trigger |
| 7 | Safety | 14 | 3-slot MIL STD 1913 Picatinny rail |



92GTS Single Action/Double action (SA/DA)**Shown**

- 1 Combat crown barrel
- 2 Removable sights
- 3 Disassembly lever
- 4 Slide stop lever
- 5 Red dot optics blanking plate
- 6 Hammer
- 7 De-Cock lever
- 8 Polymer grip panels
- 9 Magazine
- 10 Beveled magazine well
- 11 Front and back strap checkering
- 12 Oversized magazine catch
- 13 Metal trigger
- 14 3-slot MIL STD 1913 Picatinny rail



DESCRIPTION

A line of pistols derived from a firearm that was proven to exceed military standards, the Beretta 90 series delivers outstanding accuracy and reliability in the most demanding conditions. The open slide design and optimal direct feed system allow Beretta 90 series pistols to perform exceptionally with most commercial ammunition, and its barrel and falling locking block allow for a high degree of mechanical accuracy.

GENERAL OPERATION

Beretta 90 series pistols are semiautomatic falling locking block firearms. Upon firing, the inertia of the fired cartridge pushes the slide back, ejects the spent cartridge, cocks the hammer and compresses the recoil spring. The slide will then automatically move forward to the closed position, feeding the next cartridge from the magazine into the chamber. The slide is designed to stay open after the last round has been fired and ejected.



This list is an overview of some features available across various models of the 90 series; your pistol may or may not have all features listed. Please check www.Beretta.com for more information about your specific model.

FIELD STRIPPING

The disassembly lever is designed to allow a quick and simple field stripping of the pistol without the need for pulling the trigger, and also to prevent unintentional disassembly.

OVERSIZED MAGAZINE CATCH

Many modern 90 series are equipped with an oversized magazine catch, allowing the user to easily remove the magazine from the gun. The magazine release catch can be reversed to allow easier access for left-handed shooters.

FRAME

Traditional: The shape of the classic 90 series grip helps shooters control recoil.

Vertec: The 92XI, 92GTS, 92X and M9A4 feature a reduced circumference frame that allows for a range of ergonomic options for shooters of all sizes. Each gun comes with a set of grip panels that allows for a smaller fit pistol.

SLIDE STOP

When the last round has been fired, the slide locks open signaling that the magazine is empty. The slide stop can also be used to close the slide when loading the pistol.

MAGAZINE CAPACITY

The standard magazines on Beretta 92 full size and Centurion size caliber 9mm pistols are 10, 15, 17 or 18 rounds depending on state law. The standard magazines on Beretta 92 Compact size caliber 9mm pistols are 10, 13 or 15 rounds depending on state law. All 92s are compatible with other magazines in the 92 family (so long as the magazines are equal to or longer than the grip length). This list is an overview of some features available across various models of the 90 series; your pistol may or may not have all features listed. Please check www.Beretta.com for more information about your specific model.

Notice

Use a qualified gunsmith to convert levers.

FRAME CHECKERING

Some models in the 90 series have enhanced checkering on the front and back strap to allow for a more secure grip on the pistol.



BARREL UPGRADES

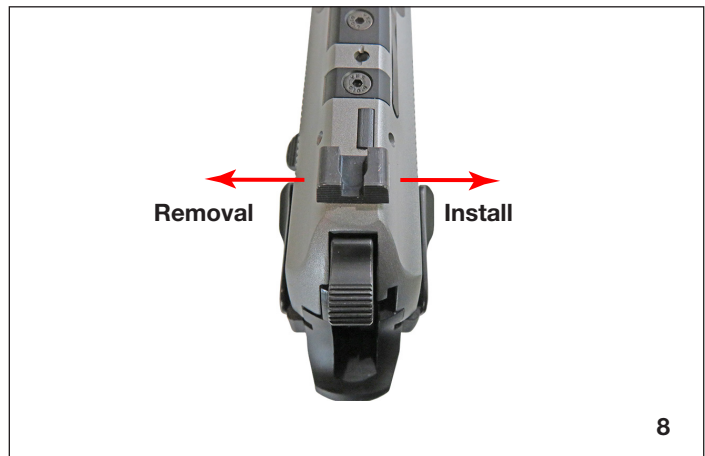
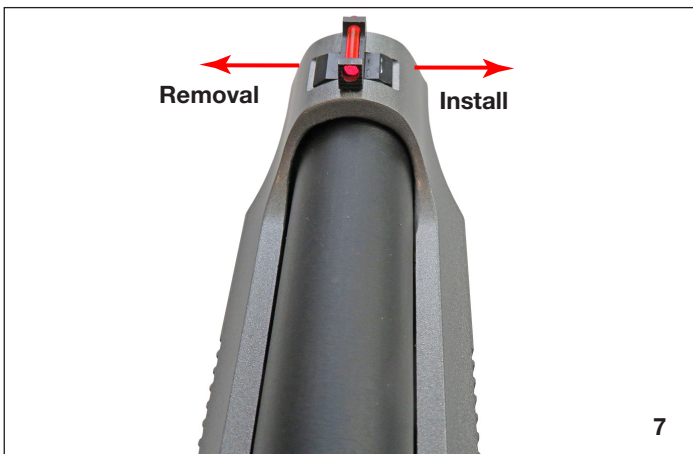
The 90 series can come with, or be upgraded to, a barrel that has a recessed cut target crown for enhanced accuracy, or an extended barrel threaded for 1/2X28.



This list is an overview of some features available across various models of the 90 series; your pistol may or may not have all features listed. Please check www.Beretta.com for more information about your specific model.

Sights

Many Beretta 90 Series pistols are equipped with removable front and rear sights. 92XI, 92X, M9A3/4, 92G Elite LTT and 92 Vertec sights are all compatible with one another.



PICATINNY RAIL

Railed models of the 90 Series such as the M9A1, 92X, M9A3/4, 92G Elite LTT and 92 Vertec come with a 1913 Picatinny compatible rail under the barrel (figure below) for convenient mounting of a laser aiming device, flashlight or other type of accessory.

CAUTION

Beretta does not recommend the attachment of any accessory to the pistol rail that is heavier than 6 oz (170 g), or that protrudes more than 3/4" (19 mm) from the front of the slide. Using overweight or oversized accessories could cause the pistol to malfunction and/or decrease the service life of the pistol.



RED DOT COMPATIBILITY**! WARNING**

ALWAYS ENSURE THAT THE PISTOL IS UNLOADED, INCLUDING VERIFYING THAT THERE IS NO ROUND IN THE CHAMBER, BEFORE INSTALLING OR REMOVING AN ACCESSORY TO/FROM THE PISTOL RAIL. NEVER PLACE YOUR HAND IN FRONT OF THE MUZZLE WHEN INSTALLING OR REMOVING AN ACCESSORY TO/FROM THE PISTOL RAIL.

The 90 series pistols now have factory models that allow for Red Dot Optic devices to be securely mounted to the slide for quick and easy target acquisition. To purchase optic plates, please see www.Beretta.com.

**SPECIFICATIONS**

92XI and 92GTS Line are shown, details on additional models available on www.Beretta.com.

	Full Size	Centurion	Compact
Caliber/ammunition	9x19mm		
System of operation	Semiautomatic, falling locking block		
Locking system	Straight barrel/slide unit reciprocation and oscillating locking block		
Hammer	Exposed, with cocking spur and drop-catch feature or spurless		
Trigger	Double action/Single action		
Frame mounted safety (SAO only)	The ambidextrous frame mounted safety with "off" position marked by a vivid red warning dot located on the slide.		
De-cocker (DA/SA only)	The ambidextrous frame mounted decocker lever is spring loaded to return to the fire position after decocking (Type G).		
Firing pin block	Automatically engaged catch prevents accidental discharge by firing pin inertia. Deactivated only when the trigger is pulled fully to the rear.		
Slide catch	Automatically secures the slide open after the last round is fired.		
Grips	Polymer panels and wraparound (not included)		
Rifling	6 grooves right hand, pitch 250mm (1/10)		
Front sight	SightDot, removable fiber optics		
Rear sight	Removable black serrated		
Barrel length	4.7"	4.3"	4.3"
Sight radius	6.3"	6"	6"
Overall length	8.5"	7.75"	7.75"
Overall height	5.4"	5.4"	5.25"
Overall width	1.5"	1.5"	1.5"
Weight of unloaded pistol	29.6 oz	28.5 oz	27.2 oz
Magazine capacity	18 / 17 / 15 / 10	18 / 17 / 15 / 10	15 / 13 / 10

SAFETY FEATURES

AUTOMATIC FIRING PIN BLOCK

When the trigger is not pulled completely back, the firing pin block secures the firing pin and prevents it from moving forward, even if the weapon should fall and strike the ground.

MANUAL SAFETY LEVER (SAO ONLY)

The actuation of the safety rotates a sear block in place that prevents the sear from releasing the hammer. With the safety engaged, the slide is also prevented from being fully retracted.

MANUAL DE-COCKING LEVER (G VERSION ONLY)

The frame mounted G De-cocking model features a manual de-cocking lever only, instead of the manual safety lever of the frame mounted FS version. After de-cocking, when the lever is released, it automatically returns to the fire position

WARNING

(SAO ONLY) ALWAYS LEAVE THE MANUAL SAFETY ENGAGED (ON "SAFE") UNTIL YOU INTEND TO FIRE.

WARNING

TO USE YOUR FIREARM IN A SAFE MANNER - NEVER RELY SOLELY ON MECHANICAL FEATURES - ALWAYS BE EXTREMELY CAREFUL AND USE SAFE GUN HANDLING PRACTICES TO AVOID SITUATIONS THAT COULD LEAD TO AN ACCIDENT. ALWAYS INSPECT THE OPEN CHAMBER AFTER THE MAGAZINE HAS BEEN REMOVED.

AMMUNITION

AMMUNITION (CARTRIDGE) NOTICE

Beretta specifically disclaims responsibility for any damage or injury whatsoever occurring in connection with, or as the result of, the use in a 90 series pistol in caliber 9mm of faulty, non-standard, "remanufactured", or hand-loaded (reloaded) ammunition or cartridges other than those for which the firearm was originally chambered.

USE PROPER AMMUNITION

Use only high-quality, commercially-manufactured ammunition that is manufactured in accordance with CIP (Europe and elsewhere) or SAAMI® (USA) standards. Be certain that the ammunition is the appropriate caliber and loading for the firearm and is clean, dry and in good condition. The cartridge designation for your firearm is marked on the sides of the slide.

The use of reloaded or remanufactured ammunition can increase the likelihood of excessive cartridge pressures, case-head ruptures or other defects in the ammunition that can cause damage to your firearm and injury to yourself or others nearby.

There is a broad array of 9mm ammunition made by many manufacturers in different brands and types. To ensure reliable operation, a semi-automatic firearm must be matched to a certain cartridge load. The Beretta 92XI in caliber 9mm has been designed for high quality standard ammunition. Beretta suggests that you try several boxes of a recommended brand/type of ammunition in your 90 series pistol before you put it into regular use to determine reliability of ignition and performance of your ammunition. If issues occur, try different recommended brands until a reliable load is found.

WARNING

CAREFULLY INSPECT EACH CARTRIDGE BEFORE IT IS LOADED IN THE MAGAZINE. BE CERTAIN THE CARTRIDGE CASES ARE NOT SPLIT, DEFORMED OR DO NOT POSSESS ANY OTHER DENTS OR DEFECTS.

WARNING

DO NOT FIRE OLD AMMUNITION IN THIS FIREARM. PRIMERS, POWDER, CARTRIDGE CASES AND BULLETS CAN DETERIORATE WITH TIME AND CAUSE DAMAGE TO THE FIREARM, OR INJURY TO THE SHOOTER OR OTHERS.

WARNING

DO NOT USE NON-STANDARD, "REMANUFACTURED", OR HAND-LOADED (RELOADED) AMMUNITION OR CARTRIDGES OTHER THAN THOSE FOR WHICH THE FIREARM WAS ORIGINALLY CHAMBERED. BERETTA ASSUMES NO LIABILITY FOR INCIDENTS OCCURRING THROUGH THE USE OF NON-STANDARD OR INCORRECT AMMUNITION. USE OF RELOADED OR INCORRECT AMMUNITION WILL VOID THE MANUFACTURER'S WARRANTY.

LOADING

LOADING THE MAGAZINE

To load the magazine, remove it from the pistol by depressing the magazine catch.



Hold the magazine in the one hand, and with your other hand place a cartridge on the follower in front of the feed lips. Press down and slide the cartridge completely back under the feed lips.



Repeat until the magazine is fully loaded.

i Notice

Do not try to force more than the maximum indicated rounds into the magazine.

LOADING THE PISTOL AND THE CHAMBER

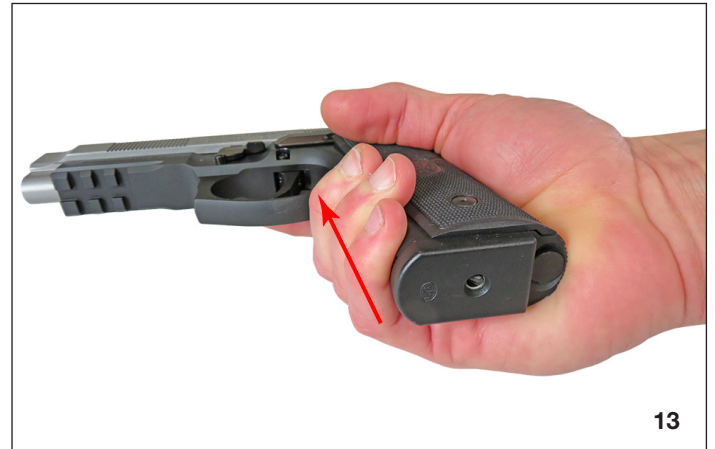
! WARNING

(SAO ONLY) ONCE THE PISTOL'S CHAMBER IS LOADED, TO PREVENT ACCIDENTAL DISCHARGE, PRESS THE SAFETY LEVER UP INTO THE SAFE POSITION, AND ALWAYS KEEP YOUR FINGER AWAY FROM THE TRIGGER WHENEVER YOU DO NOT INTEND TO FIRE. FAILURE TO FOLLOW THESE STEPS COULD RESULT IN SERIOUS INJURY OR DEATH.

! WARNING

(DA/SA) ONCE THE PISTOL'S CHAMBER IS LOADED, TO PREVENT ACCIDENTAL DISCHARGE, ALWAYS KEEP YOUR FINGER AWAY FROM THE TRIGGER WHENEVER YOU DO NOT INTEND TO FIRE. FAILURE TO FOLLOW THESE STEPS COULD RESULT IN SERIOUS INJURY OR DEATH.

Insert the loaded magazine into the pistol grip completely to ensure proper magazine catch engagement.



Grasping the slide serrations with thumb and index finger, fully retract and release the slide to load the chamber.



(SAO Only) Once the chamber is loaded, press the safety lever up into the safe position until ready to fire.



To replace the round which has been chambered from the magazine:

- Remove the magazine from the pistol by depressing the magazine release catch.
- Insert one more cartridge into the magazine.
- Insert the loaded magazine into the pistol grip completely to ensure catch engagement.

FIRING

WHEN READY TO FIRE

Aim the pistol and align the front and rear sight on target.

(SAO Only) Release the manual safety by rotating the manual safety lever down with thumb pressure. The red warning dot can be seen when the manual safety is disengaged.

(DA/SA Only) Once the chamber is loaded, rotate the de-cocker lever up to safely drop the hammer to half-cocked position.



WARNING

(SAO ONLY) THE PISTOL'S CHAMBER IS NOW LOADED, TO PREVENT ACCIDENTAL DISCHARGE, PRESS THE SAFETY LEVER UP INTO THE SAFE POSITION, AND ALWAYS KEEP YOUR FINGER AWAY FROM THE TRIGGER WHENEVER YOU DO NOT INTEND TO FIRE. FAILURE TO FOLLOW THESE STEPS COULD RESULT IN SERIOUS INJURY OR DEATH.

WARNING

(DA/SA ONLY) THE PISTOL'S CHAMBER IS NOW LOADED, TO PREVENT ACCIDENTAL DISCHARGE, ALWAYS KEEP YOUR FINGER AWAY FROM THE TRIGGER WHENEVER YOU DO NOT INTEND TO FIRE. FAILURE TO FOLLOW THESE STEPS COULD RESULT IN SERIOUS INJURY OR DEATH.

NOTE: The Beretta 90 series pistol described in this manual is equipped with a firing pin block which prevents firing pin inertia from striking the cartridge when the pistol is dropped. This safety is overcome only by fully depressing the trigger to the rear.

Fire by pressing the trigger.

The discharge will cycle the slide, which will eject the fired cartridge case and cock the hammer. The slide will automatically close, feeding the next cartridge from the magazine into the chamber.

Press the trigger to fire again.

NOTE: When the last round has been fired the slide will remain open.



To fire again, depress the magazine release catch and remove the empty magazine and insert a loaded one.

Press the slide stop or retract the slide to close the slide and load the chamber.



(SAO only) Once the chamber is loaded, press the safety lever up into the safe position until ready to fire.

(DA/SA Only) Once the chamber is loaded, rotate the de-cocker lever up to safely drop the hammer to half-cocked position.

! WARNING

(SAO ONLY) THE PISTOL'S CHAMBER IS NOW LOADED, TO PREVENT ACCIDENTAL DISCHARGE, PRESS THE SAFETY LEVER UP INTO THE SAFE POSITION, AND ALWAYS KEEP YOUR FINGER AWAY FROM THE TRIGGER WHENEVER YOU DO NOT INTEND TO FIRE. FAILURE TO FOLLOW THESE STEPS COULD RESULT IN SERIOUS INJURY OR DEATH.

! WARNING

(DA/SA ONLY) THE PISTOL'S CHAMBER IS NOW LOADED, TO PREVENT ACCIDENTAL DISCHARGE, ALWAYS KEEP YOUR FINGER AWAY FROM THE TRIGGER WHENEVER YOU DO NOT INTEND TO FIRE. FAILURE TO FOLLOW THESE STEPS COULD RESULT IN SERIOUS INJURY OR DEATH.

UNLOADING THE PISTOL AND CHAMBER

! WARNING

PREVENT ACCIDENTAL DISCHARGE. THE SLIDE CAN NOT BE RACKED WITH THE SAFETY ON FOR PISTOL UNLOADING. WHEN UNLOADING, NEVER PRESS THE TRIGGER. FAILURE TO FOLLOW THESE STEPS CAN RESULT IN SERIOUS INJURY OR DEATH.

Depress the magazine release catch and remove the magazine from the pistol.

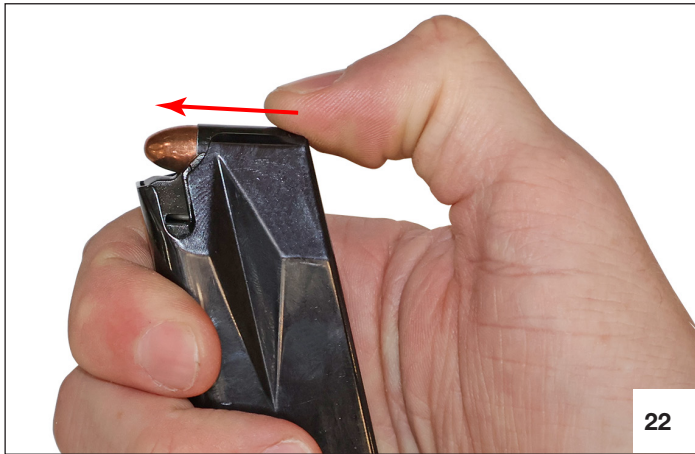


Grasping the slide serrations with thumb and index finger, fully retract the slide to remove the chambered cartridge.



UNLOADING THE MAGAZINE

To unload the magazine, grasp the magazine box with one hand, bottom down and with front end forward. With the tip of the thumb, firmly press down on the cartridge rim and push the top round forward. As the bullet moves forward, tip it slightly upward with the index finger. Repeat until the magazine is unloaded.



22

DISASSEMBLY

Every time the pistol is fired, or at least once a month, cleaning and lubricating is recommended.

FIELD STRIPPING

WARNING

MAKE SURE THE PISTOL IS UNLOADED. IF NOT, UNLOAD THE PISTOL. SEE "UNLOADING THE PISTOL AND CHAMBER" PAGE 17 FOR MORE INFORMATION. FAILURE TO FOLLOW THESE STEPS COULD RESULT IN SERIOUS INJURY OR DEATH.

Remove magazine by depressing magazine release catch.



23

Press and hold the disassembly lever release button.



24

While holding the disassembly lever release button, rotate the disassembly lever clockwise until it stops.



25

Pull the slide assembly forward.



26

CAUTION

Recoil spring and recoil spring guide are under tension.

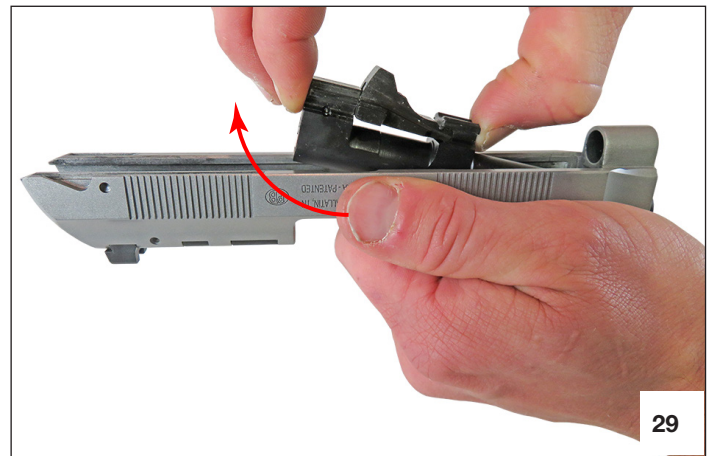
Slightly press recoil spring and spring guide towards muzzle to separate them from the barrel.



Lift the spring guide and recoil spring, letting the spring out slowly, as it is under tension.



Remove the barrel and locking block assembly from slide.



Notice

Beretta recommends any further disassembly be performed by a qualified gunsmith.



GRIP PANELS REMOVE AND INSTALL

Back Strap Grip

Applies to Vertec-framed models: 92Xi, 92X lines and the M9A3, M9A4 lines.

WARNING

MAKE SURE THE PISTOL IS UNLOADED. IF NOT, UNLOAD THE PISTOL. SEE "UNLOADING THE PISTOL AND CHAMBER" ON PAGE 14 FOR MORE INFORMATION.

Using a 2 mm allen wrench, remove the grip screws by turning them counterclockwise.



Slide the back strap grip over the rear of the lower receiver.



Install the lock washers and grip screws with a 2 mm allen wrench by turning them clockwise. Tighten the grip screws to a torque of 10 lb-in.



Notice

Be careful not to lose the lock washers located under the grip screws.

Remove the grip panels from the lower receiver.



MAINTENANCE

WARNING

DO NOT ATTEMPT TO MAKE REPAIRS TO ANY FIREARM WITHOUT PROPER KNOWLEDGE OR TRAINING. DO NOT ALTER PARTS OR USE SUBSTITUTE PARTS NOT MADE BY BERETTA. ANY ALTERATIONS OR ADJUSTMENTS THAT MAY BE NECESSARY TO THE OPERATING MECHANISM SHOULD BE PERFORMED BY THE MANUFACTURER OR A BERETTA AUTHORIZED SERVICE CENTER.

CLEANING AND LUBRICATING

The firearm should be cleaned as soon as possible after firing. Use only high-quality, commercially-available firearm cleaning solvents and cleaning equipment.

WARNING

EXCESS OIL AND GREASE OBSTRUCTING THE BORE, EVEN PARTIALLY, IS VERY DANGEROUS WHEN FIRING AND MAY CAUSE BARREL RUPTURE AND SERIOUS INJURY TO THE SHOOTER AND BYSTANDERS. NEVER SPRAY OR APPLY OIL TO CARTRIDGES. USE LUBRICANTS PROPERLY. YOU ARE RESPONSIBLE FOR THE PROPER CARE AND MAINTENANCE OF YOUR FIREARM.

WARNING

MAKE SURE THE PISTOL IS UNLOADED. IF NOT, UNLOAD THE PISTOL. SEE “UNLOADING THE PISTOL AND CHAMBER” PAGE 17 FOR MORE INFORMATION.

Notice

The firearm should not be disassembled for cleaning beyond what is described. Only gunsmiths or other highly-trained personnel who are familiar with these firearms should conduct further disassembly.

Notice

It is advisable to carry out the field stripping and the assembly operations over a table to catch components, should they drop.

Disassemble the firearm as previously described in this manual. See “Disassembly” page 18 for more information.

Barrel

Clean the barrel with bore solvent and a brush and then dry it with cleaning patches. Always begin at the chamber end. Repeat until the barrel is clean.

Wipe down exterior of barrel locking block and lug assembly with a solvent soaked patch. Allow to dry, then apply lubrication in the lug and locking block area.

Lightly oil the inside and outside of the barrel, using a clean patch soaked in gun oil. Lightly oil the locking block.

Slide

Clean the slide with a cloth and/or brush soaked in gun oil, paying special attention to the breech face, extractor, slide rails and under side of breech. Wipe clean.

Lightly oil the slide. Apply a few drops of oil down the rails of the slide.

Recoil Spring and Spring Guide

Lightly oil the recoil spring and spring guide with gun oil. After prolonged use, it may be necessary to first clean with gun oil and a brush.

Frame

With a gun oil soaked rag or brush, clean all areas covered by gunpowder residue and dirt.

Wipe clean and lightly lubricate rails and moving parts. Be sure to oil the disassembly lever, magazine catch, slide stop, trigger system, hammer, sear and the levers in front of the hammer.

Magazine Cleaning and Cartridge Rotation

Be sure to thoroughly clean the magazine(s). After cleaning, wipe with a lightly oil moistened rag.

Notice

If the pistol is carried with chamber and magazine loaded, it is important to periodically unload all magazines for cartridge inspection.

AFTER CLEANING AND LUBRICATING CHECKS

Assemble the firearm and check for proper function. See “Assembly” page 22 for more information.

Verify the gun is ON SAFE.

Insert an EMPTY magazine and retract the slide so that the slide remains in the open position.

Pull the slide rearward, then release it to close the slide.

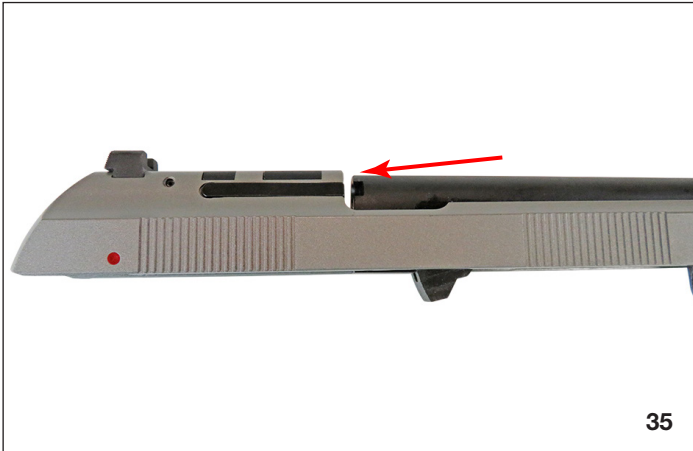
RECOMMENDED SPRING MAINTENANCE

Springs	No. of Rounds Recommended Replacement
Trigger return spring	5,000 Rounds
Hammer spring	20,000 Rounds
Recoil guide spring	5,000 Rounds

ASSEMBLY

Assemble following the Field Stripping procedure in reverse order. It is advisable to pay attention to the following points:

The barrel must rest perfectly flush against the slide (the extractor must lodge in its groove in the barrel).



35

The recoil spring guide head should lodge in the center of its groove in the locking block.



36

Make sure the barrel locking assembly is in rear-most position. If necessary, push the barrel locking assembly to the rear using the open area at the slide.

Slightly retract the slide, and rotate the disassembly lever to the locked position.



37

RED DOT SIGHT

INTRODUCTION

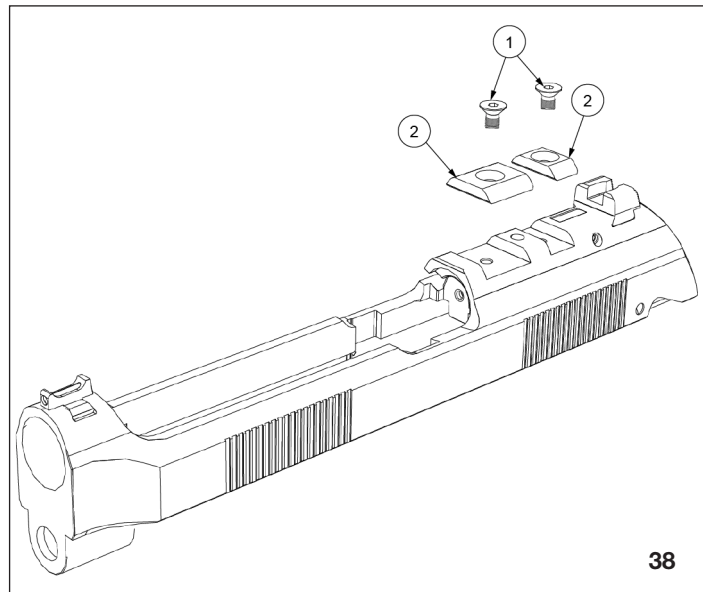
The purpose of this section is to provide instructions on how to install and remove the red dot aiming device on your RDO compatible Beretta 90 series pistol. For handling and loading information for your Beretta 90 series pistol, refer to the User Manual and Basic Safety Rules sections of this document.

INSTALLATION

! WARNING

BEFORE INSTALLING THE AIMING DEVICE, UNLOAD THE PISTOL. SEE "UNLOADING THE PISTOL AND CHAMBER" PAGE 17 FOR MORE INFORMATION.

Using a 2 mm allen wrench, remove the two screws (socket countersunk M3X5) (1) that secure the cover plates to the slide of your red dot optic (RDO) compatible Beretta 90 series pistol.



38

- 1 Cover plate screws
- 2 Cover plate

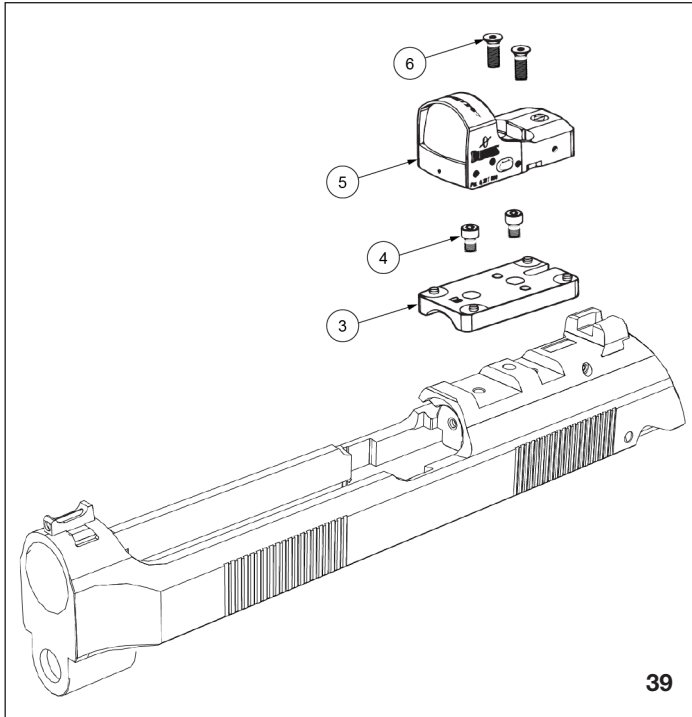
! WARNING

A SIGHT THAT IS NOT MOUNTED SECURELY MAY BECOME DETACHED UPON RECOIL OF FIREARM. IF IT BECOMES DETACHED, IT MAY FLY BACK AND STRIKE THE SHOOTER OR BYSTANDER CAUSING INJURY. NOTE THE CONDITION OF THE MOUNTING SCREWS AFTER FIRING (GOOD PRACTICE IS TO MARK THE SCREW HEAD TO MAKE ANY ROTATION CLEARLY VISIBLE). IF THE MOUNTING SCREWS SHOW SIGNS OF LOOSENING, DO NOT FIRE THE GUN AGAIN UNTIL YOU HAVE TIGHTENED THE SCREWS. THE ORIGINAL SCREWS COME WITH A DROP OF GLUE APPLIED; IF THE SCREWS DO BEGIN TO LOOSEN, REMOVE THEM, CLEAN THE SCREWS AND THREADS, APPLY THREAD LOCKING COMPOUND TO THE SCREWS AND REASSEMBLE. LET THE THREAD LOCKING COMPOUND CURE BEFORE USING THE FIREARM.

Install the mounting plate (3) on top of the slide. Using a 2.5 mm allen wrench, fasten it with the two mounting plate screws (socket cap screws M3X6) (4) . Tighten the fasteners to a torque of 15 in/lb (1.7 N•m).

Install your red dot optic (5) on the mounting plate.

Using the RDO screws (6), fasten the sight onto the slide using the appropriate allen wrench.



- 3 Mounting plate
- 4 Mounting plate screws
- 5 Red dot optic
- 6 RDO screws

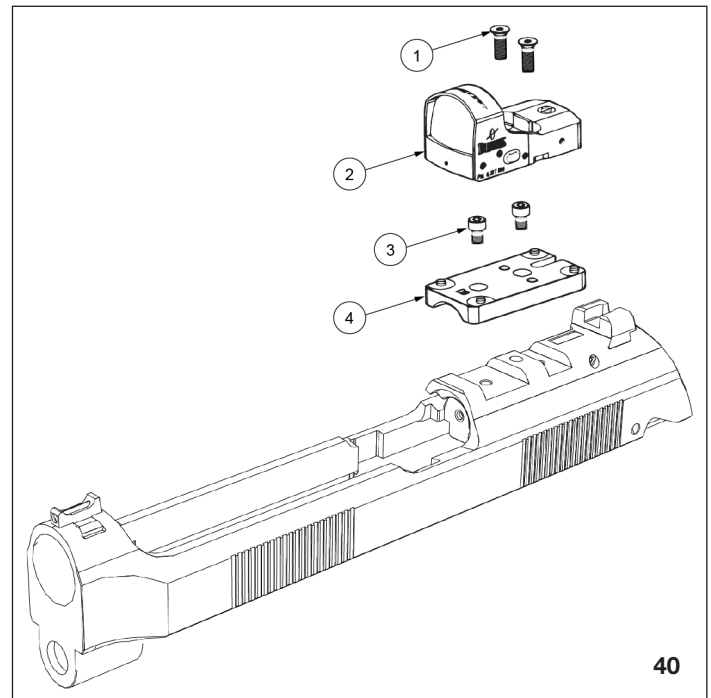
REMOVAL

! WARNING

BEFORE REMOVING THE AIMING DEVICE, UNLOAD THE PISTOL. SEE "UNLOADING THE PISTOL AND CHAMBER" PAGE 17 FOR MORE INFORMATION.

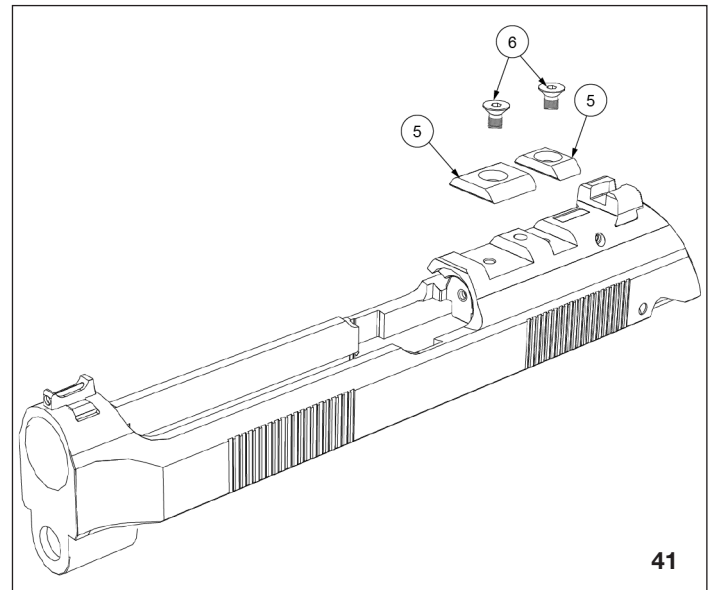
To remove the red dot aiming device, unscrew the RDO screws (1) and remove them and the red dot optic (2) from the slide.

Using a 2.5 mm allen wrench, remove the two mounting plate screws (socket cap screws M3X6) (3) that secure the mounting plate (4) to the slide.



- 1 RDO screws
- 2 Red dot optic
- 3 Mounting plate screws
- 4 Mounting plate

Install the cover plates (5) to the slide of your Beretta 90 series pistol, Using a 2.5 mm allen wrench, fasten the cover plates with the two cover plate screws (socket countersunk M3X5). Tighten the screws to a torque of 15 in/lb (1.7 N•m).



- 5 Cover plate
- 6 Cover plate screws

TROUBLESHOOTING

Failure to fire.

If the trigger is pulled and the firearm does not immediately fire:

WARNING

IF THE FIREARM FAILS TO FIRE IMMEDIATELY AFTER THE TRIGGER IS PULLED, CEASE FIRING IMMEDIATELY. FAILURE TO FOLLOW THIS WARNING COULD RESULT IN DEATH OR SERIOUS INJURY.

- Keep the firearm pointed in a SAFE direction in the event a "hang-fire" has occurred. A hang-fire occurs when there is a delay in a cartridge's ignition.
- With the firearm pointed in a SAFE direction, wait 1 full minute.
- After 1 full minute has elapsed, completely unload the firearm. See "Unloading the Pistol and Chamber" page 17 for more information.
- Carefully inspect your ammunition.
- Immediately consult qualified personnel such as a gunsmith if the firing pin indent on a fired cartridge's primer is light or does not exist.

WARNING

NEVER ATTEMPT TO FIRE AMMUNITION THAT DID NOT FIRE THE FIRST TIME.

Firing with an obstruction in the barrel or chamber can rupture the barrel and injure you or others nearby.

- In the event you hear an unusual noise when shooting, stop firing immediately, engage the manual safety and unload the firearm. Make sure the chamber and barrel are free from any obstruction, like a bullet blocked inside the barrel due to defective or improper ammunition.

WARNING

IF ANOTHER CARTRIDGE IS FIRED INTO AN OBSTRUCTED BARREL, A CATASTROPHIC FAILURE CAN RESULT.

- With the gun pointed in a SAFE DIRECTION, COMPLETELY UNLOAD the firearm. See "Unloading the Pistol and Chamber" page 17 for more information.

Barrel obstruction

- Using the disassembly instructions, field strip the firearm and check to be sure there are no obstructions in the barrel. If a barrel obstruction is detected, qualified personnel such as a gunsmith must remove the obstruction and inspect the firearm before it can be fired.

WARNING

IF ANOTHER CARTRIDGE IS FIRED INTO AN OBSTRUCTED BARREL, A CATASTROPHIC FAILURE CAN RESULT.

Malfunction	Probable Cause	Remedy
Failure to feed	Defective cartridge	Inspect and replace cartridge
	Failure to lubricate	Lubricate pistol
Misfire	Defective cartridge	Replace defective cartridge
Does not extract or defective extraction	Dirty cartridge chamber	Clean and lubricate cartridge chamber
	Defective or dirty ammunition	Replace or clean cartridges
	Dirt under the extractor	Clean the extractor seat
	Failure to lubricate	Lubricate pistol

WARNING

DO NOT ATTEMPT TO MAKE REPAIRS TO ANY FIREARM WITHOUT PROPER KNOWLEDGE OR TRAINING. DO NOT ALTER PARTS OR USE SUBSTITUTE PARTS NOT MADE BY BERETTA. ANY NECESSARY ALTERATIONS OR ADJUSTMENTS TO THE OPERATING MECHANISM SHOULD BE PERFORMED BY THE MANUFACTURER.

WARNING

DO NOT ATTEMPT TO ALTER THE INTERNAL PARTS OF YOUR PISTOL'S FIRING MECHANISM. ALTERING INTERNAL PARTS CAN CAUSE UNSAFE CONDITIONS.

STORAGE

WARNING

TO REDUCE THE RISK OF ACCIDENTS INVOLVING CHILDREN OR UNAUTHORIZED PERSONS, KEEP YOUR FIREARM LOCKED AWAY AND STORE THE AMMUNITION IN A SEPARATE LOCKED LOCATION!

WARNING

THE FIREARM SHOULD ALWAYS BE STORED UNLOADED, WITH THE SLIDE IN THE CLOSED POSITION, THE SAFETY ENGAGED AND THE HAMMER DECOCKED. SEE "UNLOADING THE PISTOL AND CHAMBER" PAGE 17 FOR MORE INFORMATION.

 **CAUTION**

Do not store the pistol in a leather or fabric case. These materials attract moisture, even though they may appear to be perfectly dry.

WARRANTY

The Warranty and extension of the warranty period is packed with your Beretta pistol. Please refer to the WARRANTY and the related instructions should a repair service be required under the warranty period.

 **Notice**

Wholesalers, dealers or gunsmiths are not authorized to carry out any Warranty repair or adjustment on behalf of the Manufacturer (unless they are a Repair Point authorized by the Manufacturer and/or by its Local Official Distributors).

 **Notice**

The warranty is only valid for the original purchaser.

ACCESSORIES

Please check www.Beretta.com for a comprehensive list of the latest recommended accessories.

MASSACHUSETTS ADDENDUM

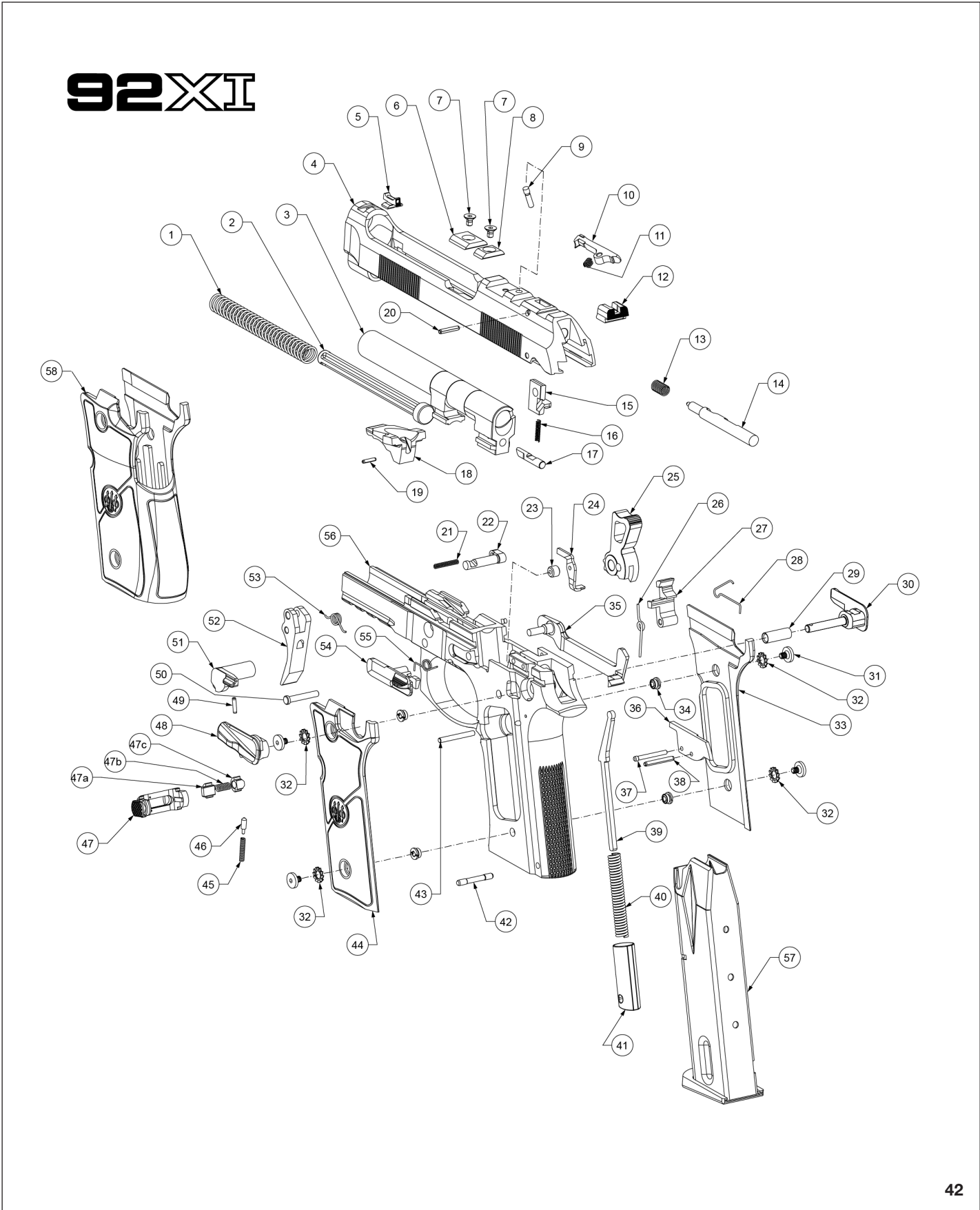
 **WARNING**

THIS WARNING IS BEING PROVIDED IN ACCORDANCE WITH COMMON WEALTH OF MASSACHUSETTS REGULATIONS 940 CMR 16.00: HANDGUN SALES (HARSHBARGER CONSUMER PROTECTION REGULATION).

Warning from the Massachusetts Attorney General:

This handgun is not equipped with a device that fully blocks use by unauthorized users. More than 200,000 firearms like this one are stolen from their owners every year in the United States. In addition, there are more than a thousand suicides each year by younger children and teenagers who get access to firearms. Hundreds more die from accidental discharge. It is likely that many more children sustain serious wounds, or inflict such wounds accidentally on others. In order to limit the chance of such misuse, it is imperative that you keep this weapon locked in a secure place and take other steps necessary to limit the possibility of theft or accident. Failure to take reasonable preventive measures may result in innocent lives being lost, and in some circumstances may result in your liability for these deaths.

92XI SAO PARTS LIST



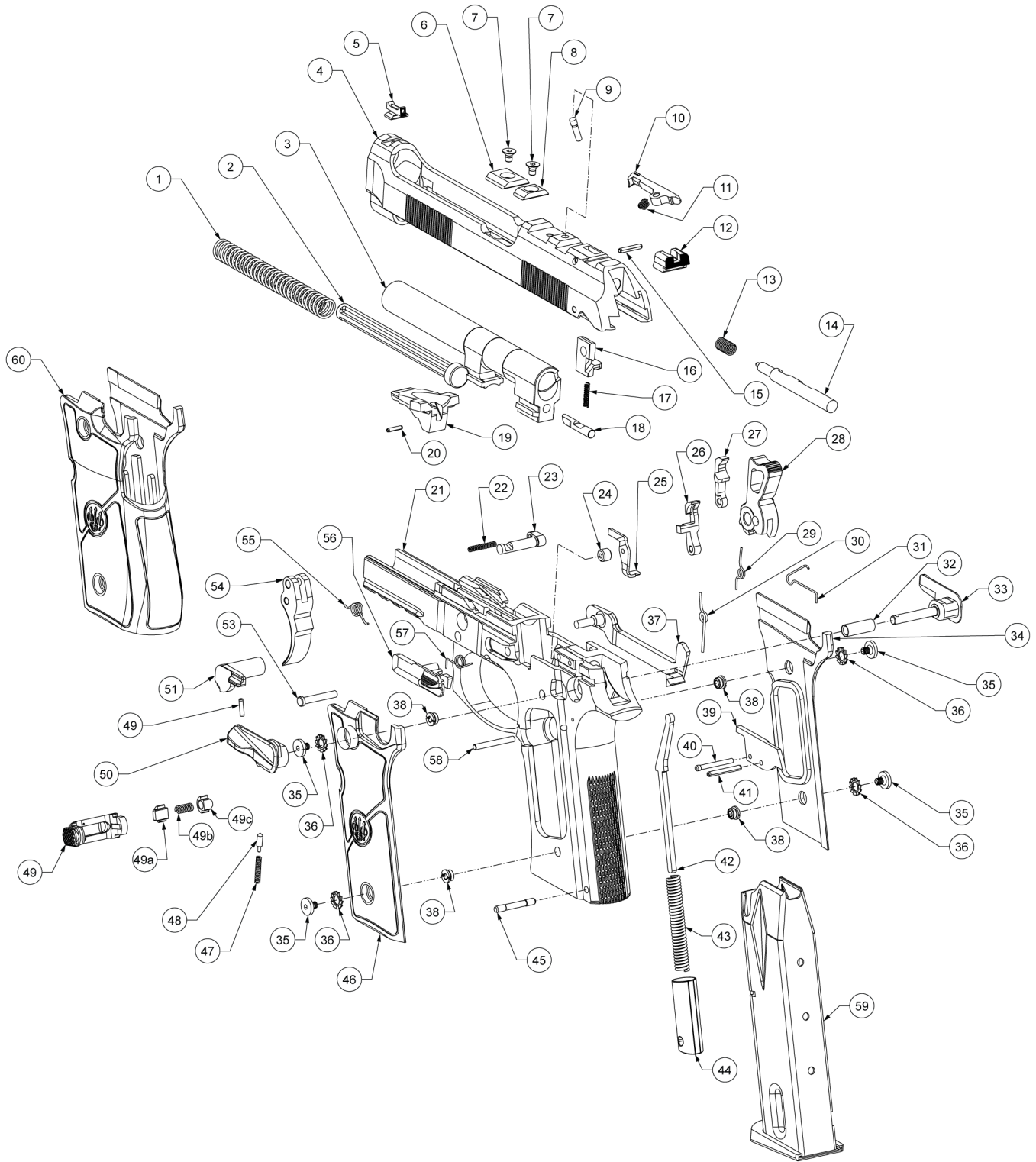
The 92XI SAO is shown, details on additional models available on www.Beretta.com.

Item	Part Name	QTY
1	Recoil spring	1
	Recoil spring Centurion	
2	Recoil spring guide plastic	1
	Recoil rod 92X compact polymer	
3	92X BBL 188L combat muzzle	1
	92XI Compact BBL 1 109L combat	
	92X BBL 188L combat muzzle-silver	
4	Slide 92X frame safety-full size	1
	Slide 92XI frame 1 safety-Centurion	
	Slide 92XI frame safety-MY1-cerokote silver	
5	Front site red fiber optic	1
6	RDO filler plug-BLK-large	1
7	M3X0.5X5L screw with patch	2
8	RDO filler plug-BLK-small	1
9	Extractor pin	1
10	Extractor 92D	1
11	Extractor spring	1
12	92X Rear sight	1
13	Firing pin spring	1
14	Firing pin-92D	1
15	Firing pin block	1
16	Firing pin block spring	1
17	Plunger locking block	1
18	Locking block	1
19	Locking block plunger pin	1
20	Firing pin block pin	1
21	Disassembly spring	1
22	Disassembly button	1
23	Hammer release lever spacer	1
24	Firing pin block lever	1
25	Hammer, SAO W DLC	1
26	Sear spring	1
27	90 Series FMS sear W DLC	1
28	Trigger bar spring	1
29	Hammer bushing - 90 series frame safety	1
30	Safety lever RH 90 series frame safety	1
31	92X Grip screw-short	4
32	Lock washer	4
	O-ring	
33	RH Grip panel - 92X frame safety - full size	1
	92XI MY1 grip set wood full L&R	
34	Grip bushing	4
35	Trigger bar - 92X performance	1
36	Ejector	1
37	Hammer release lever pin	1
38	Ejector pin	1
39	Hammer strut	1

Item	Part Name	QTY
40	Hammer spring 92X performance	1
41	92X Hammer spring cap	1
42	Lanyard loop pin	1
43	Sear pin	1
44	LH Grip panel - 92X frame safety full size	1
	92XI MY1 Grip set wood full L&R	
45	Safety detent spring	1
46	Safety plunger - 90 series frame safety	1
47	Oversized mag button overmold	2
47a	Mag catch bushing long	2
47b	Magazine catch spring	2
47c	Mag catch bushing short	2
48	Lefety lever LH90 series FMS	1
49	Safety lever cross pin - 90 series frame safety	1
50	Trigger pin	1
51	Disassembly lever	1
	Disassembly lever centurion	
52	Trigger, flat, alum, black	1
53	Trigger spring	1
54	Slide stop	1
55	Slide stop spring	1
56	92XI Receiver full	1
	92XI Receiver Centurion	
	92XI Receiver MY 1	
57	Magazine, mod 92, 10RD	1
	Magazine, mod 92, 15RD	
	Magazine, mod 92, 10RD	
58	WA Grip - 92X frame safety - full size (optional accessory)	1

92GTS SA/DA PARTS LIST

92GTS



The 92GTS SA/DA is shown, details on additional models available on www.Beretta.com.

Item	Part Name	QTY
1	Recoil spring	1
	Recoil spring Centurion	
2	Recoil spring guide plastic	1
	Recoil rod 92X compact polymer	
3	92X BBL 188L combat muzzle	1
	92XI Compact BBL 109L combat	
	92XI BBL 188L combat muzzle trident silver	
	Threaded barrel 90 series-black	
4	Slide-92XI-full size-black	1
5	Front site red fiber optic	1
	90 Series suppressor height sight-front	1
6	RDO filler plug-BLK-large	1
7	M3X0.5X5L screw with patch	2
8	RDO filler plug-BLK-small	1
9	Extractor pin	1
10	Extractor 92D	1
11	Extractor spring	1
12	92X Rear sight	1
	90 Series suppressor height sight-rear	
13	Firing pin spring	1
14	Firing pin-92D	1
15	Firing pin block pin	1
16	Firing pin block spring	
17	Firing pin spring	1
18	Plunger locking block	1
19	Locking block	1
20	Locking block plunger pin	1
21	92XI Receiver full	1
	92XI Receiver Centurion	
	92XI Receiver trident silver	
22	Disassembly spring	1
23	Disassembly button	1
24	Hammer release lever spacer-92D	1
25	Firing pin block lever	1
26	Sear-single action 92XI SDA	1
27	Sear-1/2 cock 92XI SDA	1
28	Hammer-92XI SDA	1
29	Spring, 1/2 cock sear-92XI SDA	1
30	Sear spring	1
31	Trigger bar spring	1
32	Hammer bushing -90 series frame safety	1
33	Safety lever RH 90 series FMS	1
34	RH Grip panel - 92X frame safety - full size	1
	92XI grip set wood full L&R	
35	Grip screw,short	4
36	Lock washer	4
	O-ring- wood grip models	

Item	Part Name	QTY
37	Trigger bar-92X performance	1
38	Grip bushing	4
39	Ejector	1
40	Hammer release lever pin	1
41	Ejector pin	1
42	Hammer strut	1
43	Hammer spring 92X performance	
44	Hammer spring cap	
45	Lanyard loop pin	1
46	LH Grip panel - 92X frame safety full size	1
	92XI MY1 Grip set wood full L&R	
47	Safety detent spring	1
48	Safety plunger - 90 series frame safety	1
49	Oversized mag button overmold	1
49a	Mag catch bushing long	1
49b	Magazine catch spring	1
49c	Mag catch bushing short	1
50	92XI de-cocker lever-LH	1
51	Safety lever cross pin - 90 series frame safety	1
52	Disassembly lever	1
	Disassembly lever centurion	
53	Trigger pin	1
54	Trigger 90 series, steel	1
55	Trigger spring	1
56	Slide stop	1
57	Slide stop spring	1
58	Sear pin	1
59	Magazine, mod 92, 18RD	1
	Magazine, mod 92, 15RD	
	Magazine, mod 92, 10RD	
60	WA Grip - 92X frame safety - full size (optional accessory)	1

92XI & 92GTS

PISTOL

USER MANUAL



BERETTA USA
17601 BERETTA DRIVE
ACCOKEEK, MD 20607

BERETTA.COM
1.888.4-Beretta



PROUDLY MADE IN THE USA