

THE 90 SERIES

THE 90 SERIES

OPERATORS MANUAL

Beretta U.S.A. Corp.
17601 Beretta Drive
Accokeek, MD 20607
Tel. (301) 283-2191

www.beretta.com



BERETTA

500 YEARS. ONE PASSION.

REV 0002

UD6A0537



BERETTA

500 YEARS. ONE PASSION.



Warranty 1+2 To extend your warranty from 1 to 3 years, scan the QR Code or go to: info.beretta.com/activate now

ALWAYS KEEP THIS MANUAL WITH YOUR FIREARM. INCLUDE IT WITH THE PISTOL WHEN IT CHANGES OWNERSHIP OR WHEN IT IS LOANED OR PRESENTED TO ANOTHER PERSON.

CAUTION: The Manufacturer and/or its Local Official Distributors assume no responsibility for product malfunction or for physical injury or property damage resulting in whole or in part from criminal or negligent use of the product, improper or careless handling, unauthorized modifications, use of defective, improper, hand-loaded, reloaded or remanufactured ammunition*, customer abuse or neglect of the product, or other influences beyond manufacturer's direct and immediate control.
* See paragraph "Ammunition".

WARNING: Always ensure that the safety is fully engaged (if present) until ready to fire. A safety which is not fully engaged will not prevent firearm discharge.

WARNING: ALL FIREARMS HAVE LETHAL POTENTIAL. READ THE BASIC SAFETY RULES CAREFULLY AND UNDERSTAND THEM FULLY BEFORE ATTEMPTING TO USE THIS FIREARM.

In addition to the Basic Safety Rules, there are other Safety Rules pertaining to the loading, unloading, disassembly, assembly and use of this firearm, located throughout this manual.

WARNING: READ THE ENTIRE MANUAL CAREFULLY BEFORE USING THIS FIREARM. MAKE SURE THAT ANY PERSON USING OR HAVING ACCESS TO THIS FIREARM READS AND UNDERSTANDS ALL OF THIS MANUAL PRIOR TO USE OR ACCESS.

WE RECOMMEND THE USE OF ORIGINAL BERETTA SPARE PARTS AND ACCESSORIES. THE USE OF OTHER MANUFACTURER'S SPARE PARTS AND ACCESSORIES COULD CAUSE MALFUNCTIONS AND/OR BREAKAGES THAT WILL NOT BE COVERED BY THE BERETTA WARRANTY.



SERIAL NUMBER: _____

DATE PURCHASED: _____

PURCHASE PRICE: _____

DEALER INFORMATION: _____

The illustrations and descriptions given in this brochure are intended as a general guide only and must not be taken as binding. The Company, therefore, reserves the right to make, at any moment and without prior notice, any changes it thinks necessary to improve its models or to meet any requirements of manufacturing or commercial nature.

Beretta U.S.A. Corp.

17601 Beretta Drive

Accokeek, MD 20607

1-800-Beretta

www.beretta.com

| | Page |
|--------------------------------------|-------|
| BASIC SAFETY RULES | 2-6 |
| LEGACY PARTS COMPATIBILITY | 7 |
| NOMENCLATURE | 8 |
| DESCRIPTION | 9 |
| SAFETY FEATURES | 9 |
| OPERATIONAL FEATURES | 10-12 |
| GENERAL OPERATION | 13 |
| SPECIFICATIONS | 14 |
| LOADING | 15-19 |
| (FS Version) | 16-17 |
| (G Version) | 18-19 |
| FIRING | 20-21 |
| UNLOADING THE PISTOL AND THE CHAMBER | 22-25 |
| (FS Version) | 22-23 |
| (G Version) | 24-25 |
| DISASSEMBLY | 26-28 |
| GRIP INSTALLATION | 29-30 |
| CLEANING AND LUBRICATING | 31-32 |
| ASSEMBLY | 32-33 |
| RED DOT INSTALLATION | 34-37 |
| AMMUNITION | 38-39 |
| TROUBLESHOOTING | 39-41 |
| MAINTENANCE | 42-45 |
| MASSACHUSETTS ADDENDUM | 44 |
| PARTS LIST | 46-47 |

BASIC SAFETY RULES

WARNING: PLEASE READ THIS MANUAL BEFORE HANDLING YOUR FIREARM.

WARNING: FIREARMS CAN BE DANGEROUS AND CAN POTENTIALLY CAUSE SERIOUS INJURY, DAMAGE TO PROPERTY, OR DEATH IF HANDLED IMPROPERLY. THE FOLLOWING SAFETY RULES ARE AN IMPORTANT REMINDER THAT FIREARM SAFETY IS YOUR RESPONSIBILITY.

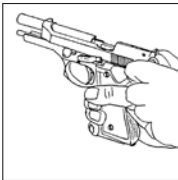
1. NEVER POINT A FIREARM AT SOMETHING THAT IS NOT SAFE TO SHOOT.

Never let the muzzle of a firearm point at any part of your body or at another person. This is especially important when loading or unloading the firearm. When you are shooting at a target, know what is behind it. Some bullets can travel over a mile. If you miss your target or if the bullet penetrates the target, it is your responsibility to ensure that the shot does not cause unintended injury or damage.

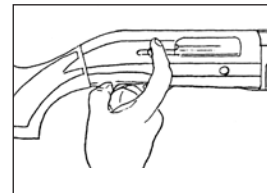
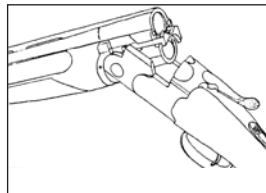


2. ALWAYS TREAT A FIREARM AS IF IT WERE LOADED.

Never assume that a firearm is unloaded. The only certain way to ensure that a firearm has the chamber(s) empty is to open the chamber and visually and physically examine the inside to see if a round is present.

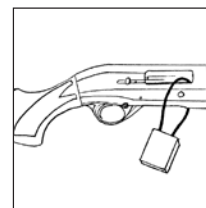
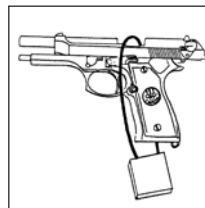


Removing or unloading the magazine will not guarantee that a firearm is unloaded or cannot fire. Firearms can be checked by cycling or removing all rounds and by then opening and inspecting the chamber so that a visual inspection of the chamber for any remaining rounds can be made.



3. STORE YOUR FIREARM SO THAT CHILDREN CANNOT GAIN ACCESS TO IT.

It is your responsibility to ensure that children under the age of 18 or other unauthorized persons do not gain access to your firearm. To reduce the risk of accidents involving children, unload your firearm, lock it and store the ammunition in a separate locked location. Please note that devices intended to prevent accidents - for example, cable locks, chamber plugs, etc. - may not prevent use or misuse of your firearm by a determined person. Firearm storage in a steel gun safe may be more appropriate to reduce the likelihood of intentional misuse of a firearm by an unauthorized child or person.



4. NEVER SHOOT AT WATER OR AT A HARD SURFACE.

Shooting at the surface of water or at a rock or other hard surface increases the chance of ricochets or fragmentation of the bullet or shot, which can result in the projectile striking an unintended or peripheral target.

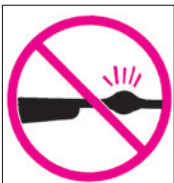


5. KNOW THE SAFETY FEATURES OF THE FIREARM YOU ARE USING, BUT REMEMBER: SAFETY DEVICES ARE NOT A SUBSTITUTE FOR SAFE HANDLING PROCEDURES.

Never rely solely on a safety device to prevent an accident. It is imperative that you know and use the safety features of the particular firearm you are handling, but accidents can best be prevented by following the safe handling procedures described in these safety rules and elsewhere in the product manual. To further familiarize yourself with the proper use of this or other firearms, take a Firearms Safety Course taught by an expert in firearms use and safety procedures.

6. PROPERLY MAINTAIN YOUR FIREARM.

Store and carry your firearm so that dirt or lint does not accumulate in the working parts. Clean and oil your firearm, following the instructions provided in this manual, after each use to prevent corrosion, damage to the barrel or accumulation of impurities which can prevent use of the gun in an emergency. Always check the bore and chamber(s) prior to loading to ensure that they are clean and free from obstructions. Firing with an obstruction in the barrel or chamber can rupture the barrel and injure you or others nearby. In the event you hear an unusual noise when shooting, stop firing immediately, engage the manual safety and unload the firearm. Make sure the chamber and barrel are free from any obstruction, like a bullet blocked inside the barrel due to defective or improper ammunition.



7. USE PROPER AMMUNITION.

Only use factory-loaded, new ammunition manufactured to industry specifications: CIP (Europe and elsewhere), SAAMI® (U.S.A.). Be certain that each round you use is in the proper caliber or gauge and type for the particular firearm. The caliber or gauge of the firearm is clearly marked on the barrels of shotguns and on the slide or barrel of pistols. The use of reloaded or remanufactured ammunition can increase the likelihood of excessive cartridge pressures, case-head ruptures or other defects in the ammunition that can cause damage to your firearm and injury to yourself or others nearby.

8. ALWAYS WEAR PROTECTIVE GLASSES AND EARPLUGS WHEN SHOOTING.

The chance that gas, gunpowder or metal fragments will blow back and injure a shooter who is firing a gun is rare, but the injury that can be sustained in such circumstances can be severe, including the possible loss of eyesight. A shooter must always wear impact resistant shooting glasses when firing any firearm. Earplugs or other high-quality hearing protectors help reduce the chance of hearing damage from shooting.



9. NEVER CLIMB A TREE, FENCE OR OBSTRUCTION WITH A LOADED FIREARM.

Open and empty the chamber(s) of your firearm and engage the manual safety before climbing or descending a tree or before climbing a fence or jumping over a ditch or other obstruction. Never pull or push a loaded firearm toward yourself or another person. Always unload a firearm, visually and physically check to see that the magazine, loading mechanism and chamber are unloaded, and action is open before handing it to another person. Never take a firearm from another person unless it is unloaded, visually and physically checked to confirm it is unloaded, and the action is open.



90 SERIES BERETTA PARTS COMPATIBILITY

10. AVOID ALCOHOLIC BEVERAGES OR JUDGMENT/REFLEX IMPAIRING MEDICATION WHEN SHOOTING.

Do not drink and shoot. If you take medication that can impair motor reactions or judgment, do not handle a firearm while you are under the influence of the medication.

**11. NEVER TRANSPORT A LOADED FIREARM.**

Unload a firearm before putting it in a vehicle (chamber empty, magazine empty). Hunters and target shooters should load their firearm only at their destination, and only when they are ready to shoot. If you carry a firearm for self-protection, leaving the chamber unloaded can reduce the chance of an unintentional discharge.

12. LEAD WARNING.

Discharging firearms in poorly ventilated areas, cleaning firearms, or handling ammunition may result in exposure to lead and other substances known to cause birth defects, reproductive harm, and other serious physical injury. Have adequate ventilation at all times. Wash hands thoroughly after exposure.

WARNING: It is YOUR responsibility to know and abide by Federal, State and Local laws governing the sale, transportation and use of firearms in your area.

WARNING: This firearm has the capability of taking your life or the life of someone else! Always be extremely careful with your firearm. An accident is almost always the result of not following basic firearm safety rules.

ESPECIALLY FOR U.S. CONSUMERS:

For information about Firearm Safety Courses in your area, please visit the National Rifle Association's web site at www.nra.org.

92 Fullsize:

- 92 Full Size Barrels
- Triggers
- Trigger Bars
- Hammers
- Hammer Springs
- Vertec frame: 92 Vertec and M9A3/4 92X Grips (including wraparounds)
- 92G Elite LTT, M9A3/4, 92X: 92 Vertec and M9A3/4 Sights
- Fullsize Guide Rods
- Mag guides / magwells
- Magazines (compatible between Full-Size and Centurion)
- Mag releases
- Safeties and G kits
- Takedown Levers
- .22lr Conversion kits (Slide safety F/S or G type only)
- Holsters compatible with legacy railed 90 series pistols

92 Centurion and Compact:

- 92 Centurion and Compact Barrels
- Triggers
- Trigger Bars
- Hammers
- Hammer Springs
- 92 Vertec and M9A3 Grips (92X Centurion only)
- 92 Vertec and M9A3 Sights
- Compact / Centurion Guide Rods
- Mag guides / magwells
- Mag releases
- Safeties
- Takedown Levers

92 Vertec, 92G Elite LTT, 92X, M9A1, M9A3, M9A4 are all cross compatible with holsters made for railed 90 series pistols.

We recommend that parts replacement on your new 90 series pistol be performed by a qualified gunsmith or armorer. This list is provided as a courtesy guideline and is not intended to be an exhaustive list of all compatible components.

NOMENCLATURE
92X RDO SHOWN

DESCRIPTION

A line of pistols derived from a firearm that was proven to exceed military standards, the Beretta 90 series delivers outstanding accuracy and reliability in the most demanding conditions. The open slide design and optimal direct feed system allow Beretta 90 series pistols to perform exceptionally with most commercial ammunition, and its barrel and falling locking block allow for a high degree of mechanical accuracy.

SAFETY FEATURES

Automatic firing pin block

When the trigger is not pulled completely back, the firing pin block secures the firing pin and prevents it from moving forward, even if the weapon should fall and strike the ground.

Manual safety-decocking lever (FS version only)

The FS Model allows the hammer to be safely lowered over a chambered round. The rotation of the safety moves the rotating striker out of the firing position, preventing the hammer from striking it. With the safety ON, the linkage between trigger and sear is disconnected.

Manual decocking lever (G version only)

The G model features a manual decocking lever only, instead of the safety decocking lever of the FS version. After decocking, when the decocking lever is released, it automatically returns to the fire position. There is NO manual safety.

Double Action Only (D version only)

The D model features no manual safety, and a double action only trigger system. It retains all of the advanced passive safety features standard to the 90 series since the 92FS.

WARNING: FS MODEL ONLY - ALWAYS LEAVE THE MANUAL SAFETY ENGAGED (ON "SAFE") UNTIL YOU INTEND TO FIRE.

WARNING: TO USE YOUR FIREARM IN A SAFE MANNER, NEVER RELY SOLELY ON MECHANICAL FEATURES - ALWAYS BE EXTREMELY CAREFUL AND USE SAFE GUN HANDLING PRACTICES TO AVOID SITUATIONS THAT COULD LEAD TO AN ACCIDENT. ALWAYS INSPECT THE OPEN CHAMBER AFTER THE MAGAZINE HAS BEEN REMOVED.



THIS LIST IS AN OVERVIEW OF SOME FEATURES AVAILABLE ACROSS VARIOUS MODELS OF THE 90 SERIES; YOUR PISTOL MAY OR MAY NOT HAVE ALL FEATURES LISTED, PLEASE CHECK WWW.BERETTA.COM FOR MORE INFORMATION ABOUT YOUR SPECIFIC MODEL

OPERATIONAL FEATURES AVAILABLE ACROSS THE 90 SERIES

Double Action/Single Action

Double Action offers the advantages of a longer, deliberate first trigger pull. In the rare instance of misfire due to a faulty primer, this system is capable of pulling the trigger again to repeat the percussion on the cartridge and to fire the round. The first double action pull is followed by a shorter and lighter single action trigger pull for the remainder of the magazine.

Field Stripping

The disassembly lever is designed to allow a quick and simple field stripping of the pistol without the need for pulling the trigger, and also to prevent unintentional disassembly.

Oversized Magazine Catch

Many modern 90 series are equipped with an oversized magazine catch, allowing the user to easily remove the magazine from the gun. The magazine release catch can be reversed to allow easier access for left handed shooters.

Frame

Traditional: The shape of the classic 90 series grip helps shooters mitigate recoil.

Vertec: The 92X and M9A4 feature a reduced circumference frame that allows for a range of ergonomic options for shooters of all sizes. Each gun comes with a set of grip panels that allows for a smaller fit pistol, and a wrap-around backstrap grip that can be installed and is an enhanced variant of the traditional 90 series full size grip.

Slide Stop

When the last round has been fired, the slide locks open signalling that the magazine is empty. The slide stop can also be used to close the slide when loading the pistol.

Magazine Capacity

The standard magazines on Beretta 90 Series Full size and Centurion size caliber 9mm pistols are 10, 15, 17, or 18 rounds depending on state law. The standard magazines on Beretta 92 Compact size caliber 9mm pistols are 10, 13, or 15 rounds depending on state law. All 90 Series are compatible with other magazines in the 90 Series family (so long as the magazine is equal to or longer than the grip length).

Ambidextrous Safety Decocking lever (FS version only)

This feature doubles as both a decocker and a positive safety lever. By rotating the lever downward, you will decock the hammer from single action as well as put the pistol on safe, and disconnect the trigger.

Ambidextrous Decock-Only Lever (G version only)

The G model features a spring loaded lever that, when rotated downward, will decock the pistol from single action. The lever will then spring upward back into the fire position.

Convertible Safety Lever

92G Elite LTT, M9A3/4, and 92X slides have been designed to accept either FS or G type levers.

NOTICE: Use a qualified gunsmith to convert levers.

Frame Checkering

Some models in the 90 series have enhanced checkering on the front and back strap to allow for a more secure grip on the pistol.



Barrel upgrades

The 90 series can come with, or be upgraded to, a barrel that has a recessed cut target crown for enhanced accuracy, or an extended barrel threaded for 1/2X28.





Sights

Many Beretta 90 Series pistols are equipped with removable front and rear sights. 92X, M9A3/4, 92G Elite LTT, and 92 Vertec sights are all compatible with one another.



Picatinny rail

Railed models of the 90 Series such as the M9A1, 92X, M9A3/4, 92G Elite LTT, and 92 Vertec come with a 1913 Picatinny compatible rail under the barrel (figure below) for convenient mounting of a laser aiming device, flashlight, or other type of accessory.

CAUTION: Beretta does not recommend the attachment of any accessory to the pistol rail that is heavier than 6oz (170 grams), or that protrudes more than 3/4" (19mm) from the front of the slide. Using overweight or oversized accessories could cause the pistol to malfunction and/or decrease the service life of the pistol.



WARNING: ALWAYS ENSURE THAT THE PISTOL IS UNLOADED, INCLUDING VERIFYING THAT THERE IS NO ROUND IN THE CHAMBER, BEFORE INSTALLING OR REMOVING AN ACCESSORY TO/FROM THE PISTOL RAIL. NEVER PLACE YOUR HAND IN FRONT OF THE MUZZLE WHEN INSTALLING OR REMOVING AN ACCESSORY TO/FROM THE PISTOL RAIL.

THIS LIST IS AN OVERVIEW OF SOME FEATURES AVAILABLE ACROSS VARIOUS MODELS OF THE 90 SERIES; YOUR PISTOL MAY OR MAY NOT HAVE ALL FEATURES LISTED, PLEASE CHECK WWW.BERETTA.COM FOR MORE INFORMATION ABOUT YOUR SPECIFIC MODEL

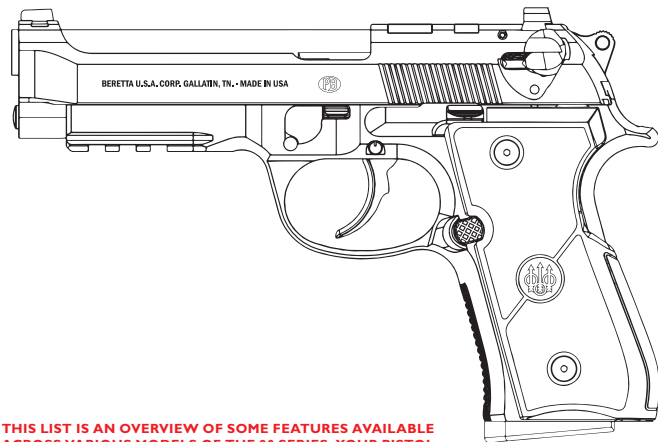
Red Dot Compatibility

The 90 Series pistols now have factory models that allow for securely mounting Red Dot Optic devices to the slide for quick and easy target acquisition.



GENERAL OPERATION

Beretta 90 Series pistols are semiautomatic falling locking block firearms. Upon firing, the inertia of the fired cartridge pushes the slide back, ejects the spent cartridge, cocks the hammer (on DA/SA models only, not DAO), and compresses the recoil spring. The slide will then automatically move forward to the closed position, feeding the next cartridge from the magazine into the chamber. The slide is designed to stay open after the last round has been fired and ejected.



THIS LIST IS AN OVERVIEW OF SOME FEATURES AVAILABLE ACROSS VARIOUS MODELS OF THE 90 SERIES; YOUR PISTOL MAY OR MAY NOT HAVE ALL FEATURES LISTED, PLEASE CHECK WWW.BERETTA.COM FOR MORE INFORMATION ABOUT YOUR SPECIFIC MODEL



SPECIFICATIONS

92X

92X LINE SHOWN, DETAILS ON ADDITIONAL MODELS AVAILABLE ON WWW.BERETTA.COM

| | Fullsize | Centurion | Compact |
|-----------------------------|--|-------------------|--------------|
| Caliber/Ammunition | 9x19mm, and 9x21mm | | |
| System of Operation | Semiautomatic, falling locking block | | |
| Locking System | Straight barrel/slide unit reciprocation and falling locking block | | |
| Hammer | Exposed, with cocking spur and drop-catch feature or spurless | | |
| Trigger | Double/Single action or Double Action Only | | |
| Safety | FS Version - Slide mounted manual ambidextrous safety-decocking lever with "OFF" position marked by vivid red warning dot. G Version - Spring loaded ambidextrous decock only lever that springs back into position after hammer falls home. D Version - Smooth sided slide with no external safety. | | |
| Trigger Linkage Interrupter | With the safety "ON" the trigger/hammer linkage is deactivated | | |
| Firing Pin Block | Automatically engaged catch prevents accidental discharge by firing pin inertia. Deactivated only when the trigger is pulled fully to the rear. | | |
| Slide Catch | Automatically secures the slide open after the last round is fired. | | |
| Grips | Polymer Panels and Wraparound | | |
| Rifling | 6 grooves right hand, pitch 250mm (1/10) | | |
| Front Sight | Dot, removable | | |
| Rear Sight | Black serrated, removable | | |
| Barrel Length | 4.7" | 4.3" | 4.3" |
| Sight Radius | 6.3" | 6" | 6" |
| Overall Length | 8.5" | 7.75" | 7.75" |
| Overall Height | 5.4" | 5.4" | 5.25" |
| Overall Width | 1.5" | 1.5" | 1.5" |
| Weight of Unloaded Pistol | 29.6 oz | 28.5 oz | 27.2 oz |
| Magazine Capacity | 18 / 17 / 15 / 10 | 18 / 17 / 15 / 10 | 15 / 13 / 10 |

LOADING AND FIRING

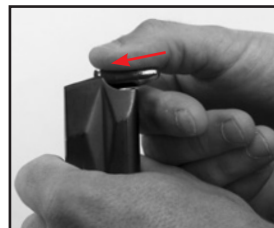
CAUTION: ALWAYS KEEP YOUR FINGER AWAY FROM THE TRIGGER WHENEVER YOU DO NOT INTEND TO FIRE. RETRACT THE SLIDE TO INSPECT THE CHAMBER TO MAKE SURE IT IS EMPTY.

LOADING THE MAGAZINE

- To load the magazine, remove it from the pistol by depressing the magazine catch. **(figure below)**



- Hold the magazine in the one hand. With your other hand place a cartridge on the follower in front of the feed lips, press down and slide the cartridge completely back under the feed lips. **(figure below)**



- Repeat until the magazine is fully loaded.
- Do not try to force more than the maximum indicated rounds into the magazine.



FS VERSION ONLY

LOADING THE PISTOL AND THE CHAMBER

CAUTION: ALWAYS KEEP YOUR FINGER AWAY FROM THE TRIGGER WHENEVER YOU DO NOT INTEND TO FIRE.

NOTE: To avoid accidental discharge due to inadvertent trigger pull, keep the manual safety engaged "ON" during loading or unloading and keep the trigger finger away from the trigger.

Engage the manual safety by pushing the decocking-safety lever down all the way, so as to cover the red warning dot (**figure below**). This safety lever rotation blocks the firing pin from the hammer, lowers the hammer if cocked, and disconnects the trigger and sear.



Insert the loaded magazine into the pistol grip completely to ensure magazine catch engagement. (**figure below**)



Grasping the slide serrations with thumb and index finger, fully retract, and release the slide to load the chamber. (**figure below**)



CAUTION: THE PISTOL'S CHAMBER IS NOW LOADED, DECOCKED, MANUAL SAFETY ENGAGED. ALWAYS KEEP YOUR FINGER AWAY FROM THE TRIGGER WHENEVER YOU DO NOT INTEND TO FIRE.

NOTE: The Beretta 90 series pistol described in this manual is equipped with a firing pin block which prevents firing pin inertia from striking the cartridge when the pistol is dropped. This safety is overcome only by fully deressing the trigger to the rear.

To replace the round which has been chambered from the magazine:

- Remove the magazine from the pistol by depressing the magazine release catch.
- Insert one more cartridge into the magazine.
- Insert the loaded magazine into the pistol grip completely to ensure catch engagement.

CAUTION: REMEMBER THAT YOU ARE HANDLING A LOADED WEAPON, WITH A LIVE ROUND IN THE CHAMBER. KEEP YOUR FINGER AWAY FROM THE TRIGGER WHENEVER YOU DO NOT INTEND TO FIRE.

G VERSION ONLY**LOADING THE PISTOL AND THE CHAMBER**

CAUTION: ALWAYS KEEP YOUR FINGER AWAY FROM THE TRIGGER WHENEVER YOU DO NOT INTEND TO FIRE.

NOTE: To avoid accidental discharge due to inadvertent trigger pull, during loading or unloading, always keep the trigger finger away from the trigger.

Lower the hammer if cocked. (**figure below**)



Insert the loaded magazine into the pistol grip completely to ensure magazine catch engagement. (**figure below**)



Grasping the slide serrations with thumb and index finger, fully retract, and release the slide to load the chamber. (**figure below**)



CAUTION: THE PISTOL IS NOW CHAMBER LOADED AND COCKED. ALWAYS KEEP YOUR FINGER AWAY FROM THE TRIGGER WHENEVER YOU DO NOT INTEND TO FIRE.

NOTE: The Beretta 90 series pistol described in this manual is equipped with a firing pin block which prevents firing pin inertia from striking the cartridge when the pistol is dropped. This safety is overcome only by trigger pull.

To replace the round which has been chambered from the magazine:

- Remove the magazine from the pistol by depressing the magazine release button.
- Insert one more cartridge into the magazine.
- Insert the loaded magazine into the pistol grip completely to ensure catch engagement.

CAUTION: REMEMBER THAT YOU ARE HANDLING A LOADED WEAPON, WITH A LIVE ROUND IN THE CHAMBER. KEEP YOUR FINGER AWAY FROM THE TRIGGER WHENEVER YOU DO NOT INTEND TO FIRE.

FIRING

WHEN READY TO FIRE:

- Aim the pistol and align the front and rear sight on target.
- Release the manual safety by rotating the manual safety (FS Version only) lever with forward thumb pressure. The red warning dot can be seen when the manual safety is disengaged. **(figure below)**

NOTE: G and D Models will be in the fire position automatically.



CAUTION: THE PISTOL IS NOW LOADED, COCKED AND READY TO FIRE. KEEP YOUR FINGER AWAY FROM THE TRIGGER WHENEVER YOU DO NOT INTEND TO FIRE.

- Fire by pressing the trigger.

NOTE: Since the hammer is decocked, the pull on the trigger will first cock the hammer and then release it. This firing mode is called **DOUBLE ACTION**.

- The discharge will cycle the slide which will eject the fired cartridge case, and cock the hammer. Then the slide will automatically close, feeding the next cartridge from the magazine into the chamber.

CAUTION: THE PISTOL IS NOW LOADED, COCKED, AND READY TO FIRE AGAIN. KEEP YOUR FINGER AWAY FROM THE TRIGGER WHENEVER YOU DO NOT INTEND TO FIRE.

- Press the trigger to fire again.

NOTE: Since the hammer is cocked, the trigger pull releases the hammer. This firing mode is called **SINGLE ACTION**. After the first shot the pistol will remain in single action mode.

- If the hammer is decocked with the safety OFF, and single action mode is desired, manually retract the hammer to its fully-cocked position. **WHEN READY TO FIRE**, press the trigger.
- When the last round has been fired the slide remains open **(figure below)**



- To fire again remove the empty magazine and insert a loaded one.
- Press the slide stop or rack the slide to close the slide and to load the chamber. **(figure below)**



CAUTION: THE PISTOL IS NOW CHAMBER LOADED, COCKED, AND READY TO FIRE AGAIN. KEEP YOUR FINGER AWAY FROM THE TRIGGER WHENEVER YOU DO NOT INTEND TO FIRE. ENGAGE THE MANUAL SAFETY (FS MODEL) AND/OR LOWER THE HAMMER BY ROTATING THE DECOCKING SAFETY LEVER (G MODEL).

FS VERSION ONLY

UNLOADING THE PISTOL AND THE CARTRIDGE CHAMBER

Fully engage the manual safety; ensuring that red dot is covered. If cocked, rotating the decocking lever downward will lower the hammer and engage the safety. **(figure below)**



Depress the magazine release catch to remove the magazine from the pistol. **(figure below)**



Grasping the slide serrations with thumb and index finger, fully retract the slide to remove the chambered cartridge. **(figure below)**



Once sure that the chamber is empty, and the cartridge has been ejected, release the slide.

UNLOADING THE MAGAZINE

To unload the magazine grasp the magazine box with one hand, bottom down, and front end forward. With the tip of the thumb, firmly press down on the cartridge rim and push the top round forward. As the bullet moves forward, tip it slightly upward with the index finger. Repeat until the magazine is unloaded. **(figure below)**

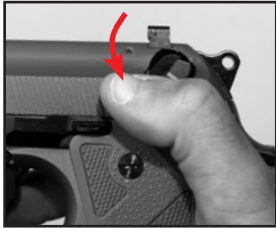




G VERSION ONLY

UNLOADING THE PISTOL AND THE CARTRIDGE CHAMBER

Lower the hammer by depressing the lever in a downward motion.



Depress the magazine release button to remove the magazine from the pistol. (figure below)



Grasping the slide serrations with thumb and index finger, fully retract the slide to remove the chambered cartridge. (figure below)



Once sure that the chamber is empty and the cartridge has been ejected, release the slide.

UNLOADING THE MAGAZINE

To unload the magazine grasp the magazine box with one hand, bottom down, and front end forward. With the tip of the thumb, firmly press down on the cartridge rim and push the top round forward. As the bullet moves forward, tip it slightly upward with the index finger. Repeat until the magazine is unloaded. (figure below)





DISASSEMBLY

Every time the pistol is fired, or at least once a month, cleaning and lubricating is recommended.

FIELD STRIPPING

CAUTION: MAKE SURE THE PISTOL IS UNLOADED. IF NOT, UNLOAD FOLLOWING THE “UNLOADING THE PISTOL” PROCEDURE. (P. 22)

Remove magazine by depressing magazine release catch. Hold pistol in the right hand; with left forefinger press disassembly lever release button and with left thumb rotate the disassembly lever clockwise until it stops. **(figure below)**

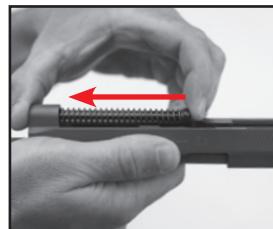


Pull the slide assembly forward. **(figure below)**



CAUTION: RECOIL SPRING AND RECOIL SPRING GUIDE ARE UNDER TENSION.

Slightly press recoil spring and spring guide towards muzzle to separate them from the barrel. **(figure below)**



Lift spring guide and recoil spring, letting the spring out slowly, as it is under tension. **(figure below)**





Remove the barrel and locking block assembly from slide.
(figure below)



NO FURTHER DISASSEMBLY IS RECOMMENDED UNLESS DONE BY A QUALIFIED GUNSMITH.



GRIP INSTALLATION

REMOVING GRIP PANELS/INSTALLING BACKSTRAP GRIP

Applies to Vertec-framed models: 92X line, M9A3, M9A4 line

CAUTION: MAKE SURE THE PISTOL IS UNLOADED. IF NOT, UNLOAD FOLLOWING THE "UNLOADING THE PISTOL" PROCEDURE. (P. 22)

- With a 2MM Allen wrench, remove the grip screws by turning them counterclockwise. Be careful not to lose the lock washers beneath the grip screws. (figure below)



- Remove the grip panels from the lower receiver. (figure below)





- Slide the backstrap grip over the rear of the lower receiver. (**figure below**)



- Reinstall the grip screws and lock washers with a 2MM Allen wrench by turning them clockwise. (torque to 10 inch pounds) (**figure below**)



CLEANING AND LUBRICATING

BARREL CLEANING AND LUBRICATING

- Spray a bore brush with appropriate solvent. Insert the brush into the barrel from the chamber and scrub the chamber and bore thoroughly.
- Dry chamber and bore by pushing a patch through the chamber and bore. Keep changing the patch until it emerges clean.
- Clean the locking block with a cloth soaked in gun oil.
- Lightly oil the inside and outside of the barrel, using a clean patch soaked in gun oil. Lightly oil the locking block.

SLIDE CLEANING AND LUBRICATING

- Clean slide with a cloth and/or brush soaked in gun oil, paying special attention to the breech face and extractor, slide rails and underside of breech. Wipe clean.
- Lightly oil the slide. Apply a few drops of oil down the rails of the slide.

RECOIL SPRING AND SPRING GUIDE LUBRICATING

- Lightly oil recoil spring and spring guide with gun oil. After prolonged use it may be necessary to first clean with gun oil and a brush.

FRAME CLEANING AND LUBRICATION

- With oil soaked rag or brush, clean all areas covered by gunpowder residue and dirt.
- Wipe clean and lightly lubricate rails and moving parts. Be sure to oil the disassembly lever, magazine catch, slide stop, trigger system, hammer, sear, and the levers in front of the hammer.



MAGAZINE CLEANING AND CARTRIDGE ROTATION

- Be sure to thoroughly clean the magazine(s). After cleaning, wipe with a lightly oil moistened rag.
- If the pistol is carried chamber and magazine loaded, it is important to periodically unload all magazines for cartridge inspection.

ASSEMBLY

Assemble following the Field Stripping procedure in reverse order. It is advisable to pay attention to the following points:

- Engage safety. (**figure below**)



- The barrel should rest perfectly flush against the slide (the extractor must rest in its groove in the barrel). (**figure below**)



- The recoil spring guide head should lodge in the center of its groove in the locking block. (**figure below**)



- When rotating the disassembly lever, the slide should be in the closed position (aligned with or beyond the rear side of frame). (**figure below**)



- Make sure the barrel locking assembly is in rear-most position. If necessary push the barrel locking assembly to the rear using the open area at the slide.



REDDOT SIGHT INSTALLATION

90 SERIES RDO INFORMATION

INTRODUCTION

The purpose of this section is to provide instructions on how to install and remove the red dot aiming device on your RDO compatible Beretta 90 Series pistol. For handling and loading information for your Beretta 90 series pistol refer to the User Manual and Basic Safety Rules sections of this document.

Warning , Caution and Notice headings are defined as follows:

WARNING: the purpose of a WARNING is to draw attention to a potential dangerous situation that could result in personal injury.

CAUTION: a CAUTION concerns potential damage to the firearm

Notice: a NOTICE highlights important procedures and statements that require more emphasis than general text.

WARNING: Before installing or removing the aiming device, unload the pistol in accordance with the unloading procedure of the User Manual. Unload the magazine in accordance with the User Manual.

INSTALLATION

To install the red dot aiming device, remove the cover plates from the slide of your RDO compatible pistol by unscrewing the two screws using an Allen key.

REDDOT SIGHT INSTALLATION

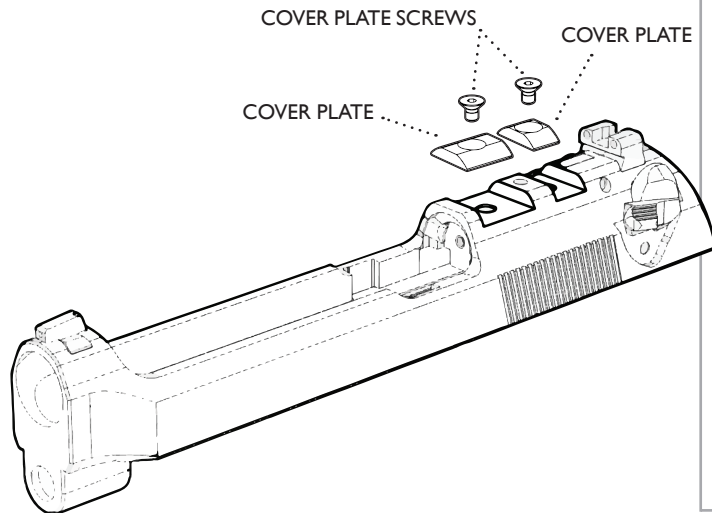


Install the mounting plate on top of the slide and fasten it with the two screws using an Allen key.

WARNING: A sight that is not mounted securely may become detached upon recoil of firearm. If it becomes detached it may fly back and strike the shooter or bystander and cause injury. Note the condition of the mounting screws after firing (good practice is to mark the screw head to make any rotation clearly visible). If the mounting screws show signs of loosening DO NOT fire the gun again until you have re-tightened the screws. The original screws come with a drop of glue applied; if the screws do begin to loosen, remove them, clean the screws and threads, apply Loctite to the screws, and reassemble. Let Loctite cure before using the firearm.

Install your aiming device mounting plate onto your slide.

Using the screws, fasten the sight onto the mounting plate using an allen key.

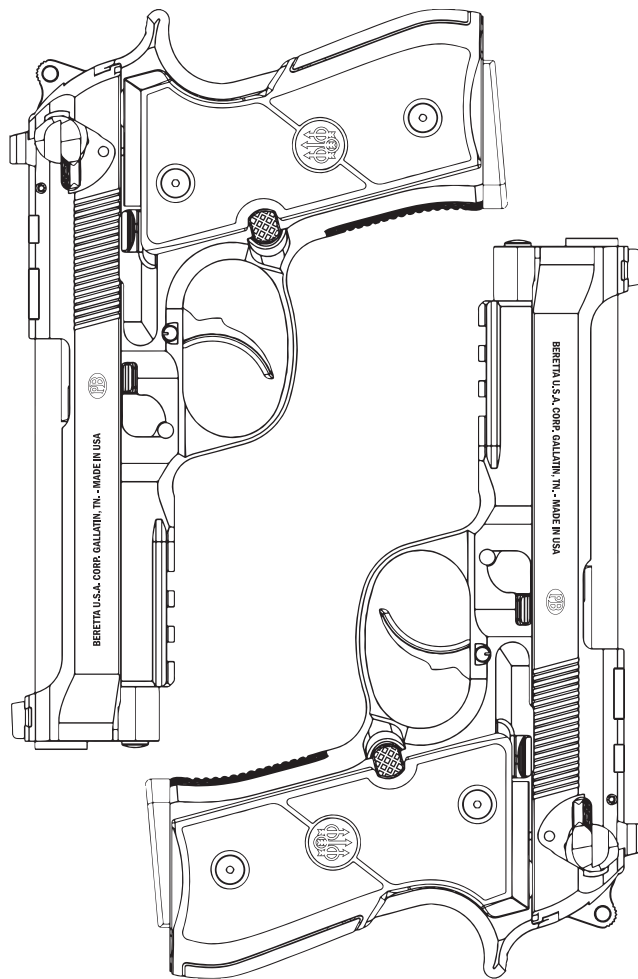
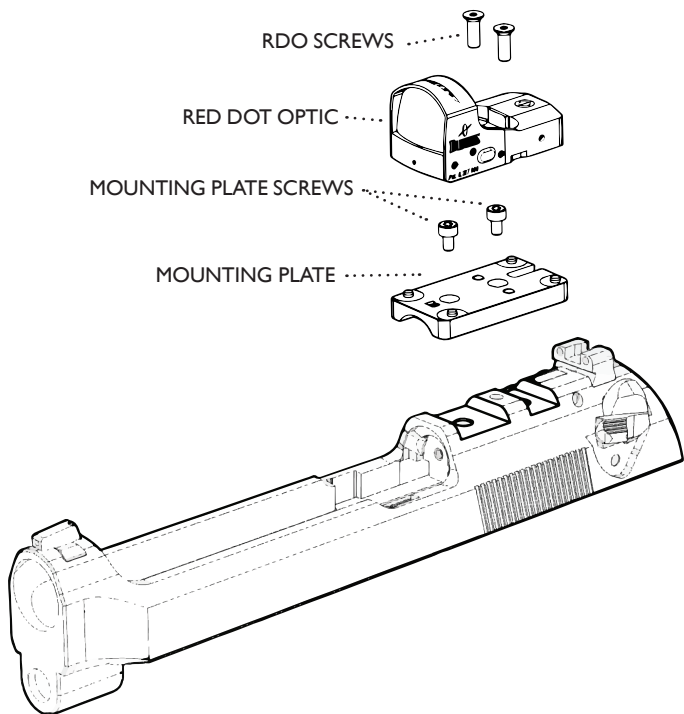




REMOVAL

WARNING: Before installing or removing the aiming device, unload the pistol in accordance with the unloading procedure of the User Manual. Unload the magazine in accordance with the User Manual.

To remove the red dot aiming device, unscrew the fastening screws and remove them and the device. Then remove the mounting plate by unscrewing the fastening screws using an Allen key. Install the cover plates on the slide of your Beretta 90 Series pistol, fastening them with an Allen key.





AMMUNITION

AMMUNITION (CARTRIDGE) NOTICE: Beretta specifically disclaims responsibility for any damage or injury whatsoever occurring in connection with, or as the result of, the use in a 90 series pistol in caliber 9mm of faulty, non-standard, or “remanufactured”, or hand-loaded (reloaded) ammunition, or cartridges other than those for which the firearm was originally chambered.

USE PROPER AMMUNITION.

Use only high-quality, commercially-manufactured ammunition that is manufactured in accordance with CIP (Europe and elsewhere) or SAAMI® (USA) standards. Be certain that the ammunition is the appropriate caliber and loading for the firearm and is clean, dry, and in good condition. The cartridge designation for your firearm is marked on the sides of the slide.

The use of reloaded or remanufactured ammunition can increase the likelihood of excessive cartridge pressures, case-head ruptures or other defects in the ammunition that can cause damage to your firearm and injury to yourself or others nearby.

There is a broad array of 9mm ammunition made by many manufacturers in different brands and types. To ensure reliable operation, a semi-automatic firearm must be matched to a certain cartridge load. The Beretta 92X in caliber 9mm has been designed for high quality standard ammunition. Beretta suggests that you try several boxes of a recommended brand/type of ammunition in your 90 Series pistol before you put it into regular use to determine reliability of ignition and performance of your ammunition. If issues occur, try different recommended brands until a reliable load is found.

WARNING: CAREFULLY INSPECT EACH CARTRIDGE BEFORE IT IS LOADED IN THE MAGAZINE. BE CERTAIN THE CARTRIDGE CASES ARE NOT SPLIT, DEFORMED OR DO NOT POSSESS ANY OTHER DENTS OR DEFECTS.

Do not fire old ammunition in this firearm. Primers, powder, cartridge cases, and bullets can deteriorate with time and cause damage to the firearm, or injury to the shooter or others.

WARNING: DO NOT USE NON-STANDARD, OR “REMANUFACTURED”, OR HAND-LOADED (RELOADED) AMMUNITION, OR CARTRIDGES OTHER THAN THOSE FOR WHICH THE FIREARM WAS ORIGINALLY CHAMBERED. BERETTA ASSUMES NO LIABILITY FOR INCIDENTS OCCURRING THROUGH THE USE OF NON-STANDARD OR INCORRECT AMMUNITION. USE OF RELOADED OR INCORRECT AMMUNITION WILL VOID THE MANUFACTURER’S WARRANTY.

TROUBLESHOOTING

I. Failure to fire

If, while firing, the trigger is pulled and the firearm does not immediately fire:

CEASE FIRING IMMEDIATELY!

- Keep the firearm pointed in a SAFE direction in the event a “hang-fire“ has occurred. A hang-fire occurs when there is a delay in a cartridge’s ignition.
- With the firearm pointed in a SAFE direction, wait one (1) full minute.
- After one (1) full minute has elapsed, completely unload the firearm by following the UNLOADING instructions in this manual.
- Carefully inspect your ammunition.
- Immediately consult qualified personnel such as a gunsmith if the firing pin indent on a fired cartridge’s primer is light or does not exist.



WARNING: NEVER ATTEMPT TO FIRE AMMUNITION THAT DID NOT FIRE THE FIRST TIME.

2. Firing with an obstruction in the barrel or chamber can rupture the barrel and injure you or others nearby.

- In the event you hear an unusual noise when shooting, stop firing immediately, engage the manual safety and unload the firearm. Make sure the chamber and barrel are free from any obstruction, like a bullet blocked inside the barrel due to defective or improper ammunition.

WARNING: IF ANOTHER CARTRIDGE IS FIRED INTO AN OBSTRUCTED BARREL, A CATASTROPHIC FAILURE CAN RESULT.

- With the gun pointed in a SAFE DIRECTION, COMPLETELY UNLOAD the firearm by following the unloading instructions.

3. Barrel Obstruction

- Using the disassembly instructions field strip the firearm and check to be sure there are no obstructions in the barrel. If a barrel obstruction is detected, qualified personnel such as a gunsmith must remove the obstruction and inspect the firearm before it can be fired.

WARNING: IF ANOTHER BULLET IS FIRED INTO AN OBSTRUCTED BARREL A CATASTROPHIC FAILURE CAN RESULT.

| MALFUNCTION | PROBABLE CAUSE | REMEDY |
|--|-------------------------------|---------------------------------------|
| Failure to feed | Defective cartridge | Inspect and replace cartridge |
| | Failure to lubricate | Lubricate pistol |
| Mis-fire | Defective cartridge | Replace defective cartridge |
| Does not extract or defective extraction | Dirty cartridge chamber | Clean and lubricate cartridge chamber |
| | Defective or dirty ammunition | Replace or clean cartridges |
| | Dirt under the extractor | Clean the extractor seat |
| | Failure to Lubricate | Lubricate pistol |

WARNING: DO NOT ATTEMPT TO MAKE REPAIRS TO ANY FIREARM WITHOUT PROPER KNOWLEDGE OR TRAINING. DO NOT ALTER PARTS OR USE SUBSTITUTE PARTS NOT MADE BY BERETTA. ANY NECESSARY ALTERATIONS OR ADJUSTMENTS TO THE OPERATING MECHANISM SHOULD BE PERFORMED BY THE MANUFACTURER.

WARNING: DO NOT ATTEMPT TO ALTER THE INTERNAL PARTS OF YOUR PISTOL'S FIRING MECHANISM. ALTERING INTERNAL PARTS CAN CAUSE UNSAFE CONDITIONS.



MAINTENANCE

The firearm should be cleaned as soon as possible after firing. Use only high-quality, commercially-available firearm cleaning solvents and cleaning equipment.

THE FIREARM SHOULD NOT BE DISASSEMBLED FOR CLEANING BEYOND WHAT IS DESCRIBED. ONLY ARMORERS OR OTHER HIGHLY-TRAINED PERSONNEL WHO ARE FAMILIAR WITH THESE FIREARMS SHOULD CONDUCT FURTHER DISASSEMBLY.

WARNING: DO NOT ATTEMPT TO MAKE REPAIRS TO ANY FIREARM WITHOUT PROPER KNOWLEDGE OR TRAINING. DO NOT ALTER PARTS OR USE SUBSTITUTE PARTS NOT MADE BY BERETTA. ANY ALTERATIONS OR ADJUSTMENTS THAT MAY BE NECESSARY TO THE OPERATING MECHANISM SHOULD BE PERFORMED BY THE MANUFACTURER OR A BERETTA AUTHORIZED SERVICE CENTER.

EXCESS OIL AND GREASE OBSTRUCTING THE BORE, EVEN PARTIALLY, IS VERY DANGEROUS WHEN FIRING AND MAY CAUSE BARREL RUPTURE AND SERIOUS INJURY TO THE SHOOTER AND BYSTANDERS. NEVER SPRAY OR APPLY OIL TO CARTRIDGES. USE LUBRICANTS PROPERLY. YOU ARE RESPONSIBLE FOR THE PROPER CARE AND MAINTENANCE OF YOUR FIREARM.

Notice: It is advisable to carry out the field stripping and the assembly operations over a table to catch components, should they drop.

Disassemble the firearm as previously described in this manual.

CAUTION: MAKE SURE THE PISTOL IS UNLOADED. IF NOT, UNLOAD FOLLOWING THE “UNLOADING THE PISTOL” PROCEDURE. (P. 22)

CLEANING

- Visually inspect to verify that no ammunition remains anywhere in the firearm.
- Remove fouling from the breech, magazine lips, follower, and receiver with a brush and a cloth.
- Clean the barrel with bore solvent and a brush and then dry it with cleaning patches. Always begin at the chamber end.
- Repeat until the barrel is clean.
- Wipe down exterior of barrel locking block and lug assembly with a solvent soaked patch, allow to dry, then apply lubrication in the lug and locking block area.
- Thoroughly clean the breechface with a brush and cloth to remove powder residue and debris.
- Apply a thin coat of oil to all metal parts.
- Make sure the firing pin assembly is in the correct position.
- Apply 2 drops of gun oil to the main spring. (**figure below**)



- Reassemble the firearm and check for proper function.
- Verify the gun is ON SAFE.
- Insert an EMPTY magazine and retract the slide so that the slide remains in the open position.
- Remove the magazine.
- Pull the slide rearward, then release it to close the slide.



THIS WARNING IS BEING PROVIDED IN ACCORDANCE WITH COMMONWEALTH OF MASSACHUSETTS REGULATIONS 940 CMR 16.00: HANDGUN SALES (HARSHBARGER CONSUMER PROTECTION REGULATION)

WARNING FROM THE MASSACHUSETTS ATTORNEY GENERAL: This handgun is not equipped with a device that fully blocks use by unauthorized users. More than 200,000 firearms like this one are stolen from their owners every year in the United States. In addition, there are more than a thousand suicides each year by younger children and teenagers who get access to firearms. Hundreds more die from accidental discharge. It is likely that many more children sustain serious wounds, or inflict such wounds accidentally on others. In order to limit the chance of such misuse, it is imperative that you keep this weapon locked in a secure place and take other steps necessary to limit the possibility of theft or accident. Failure to take reasonable preventative steps may result in innocent lives being lost, and in some circumstances may result in your liability for these deaths.

WARNING: THE FIREARM SHOULD ALWAYS BE STORED UNLOADED, WITH THE BOLT IN THE CLOSED POSITION, THE SAFETY ENGAGED AND THE HAMMER DECOCKED. (SEE PAGE 16).

WARNING: STORE FIREARMS AND AMMUNITION SEPARATELY, EACH IN ITS OWN LOCKED CONTAINER, AND AWAY FROM CHILDREN UNDER THE AGE OF 18 AND UNAUTHORIZED ADULTS!

WARNING: BE CERTAIN YOUR FIREARM IS UNLOADED BEFORE SHIPPING OR TAKING IT TO THE DEALER.

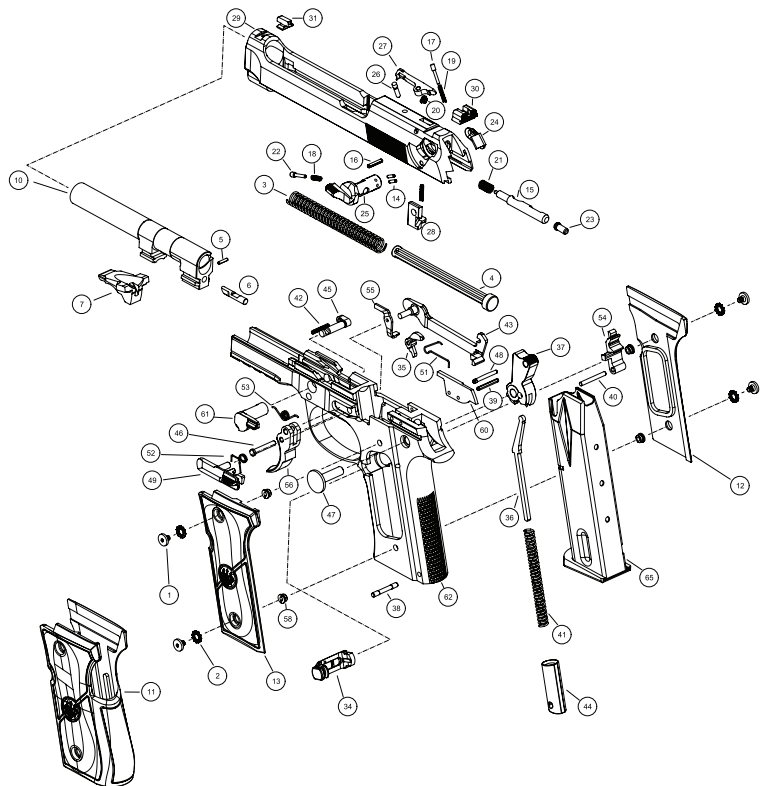
CAUTION: DO NOT STORE YOUR FIREARM IN A LEATHER, FABRIC OR CANVAS HOLSTER OR CASE. THESE MATERIALS ATTRACT MOISTURE THAT CAN ACCELERATE CORROSION OR WEAR TO THE PISTOL, EVEN THOUGH THEY MAY APPEAR TO BE PERFECTLY DRY.

RECOMMENDED SPRING MAINTENANCE

| SPRINGS | NO. OF ROUNDS FOR RECOMMENDED REPLACEMENT |
|-----------------------|---|
| Trigger Return Spring | 5,000 Rounds |
| Hammer Spring | 20,000 Rounds |
| Recoil Guide Spring | 5,000 Rounds |



92X



92X LINE SHOWN, DETAILS ON ADDITIONAL
MODELS AVAILABLE ON WWW.BERETTA.COM

| # | PART NAME |
|----|----------------------------------|
| 1 | 92X COMPACT GRIP SCREW |
| 2 | LOCK WASHER |
| 3 | RECOIL SPRING |
| 4 | RECOIL SPRING GUIDE PLASTIC |
| 5 | LOCKING BLOCK PLUNGER PIN |
| 6 | PLUNGER LOCKING BLOCK |
| 7 | LOCKING BLOCK |
| 8 | 92X BBL |
| 9 | 92X BBL |
| 10 | 92X BBL ASSY |
| 11 | WRAPAROUND GRIP 92 |
| 12 | RIGHT GRIP 92 |
| 13 | LEFT GRIP 92 |
| 14 | SAFETY LEVER PIN |
| 15 | FIRING PIN |
| 16 | FIRING PIN BLOCK PIN |
| 17 | TRIGGER BAR DETENT |
| 18 | SAFETY PLUNGER SPRING |
| 19 | FIRING PIN BLOCK SPRING |
| 20 | EXTRACTOR SPRING |
| 21 | FIRING PIN SPRING |
| 22 | SAFETY PLUNGER |
| 23 | FIRING PIN PLUNGER |
| 24 | DECOCKER LEVER RIGHT SIDE |
| 25 | SAFETY ASSY 92 TYPE F |
| 26 | EXTRACTOR PIN |
| 27 | EXTRACTOR |
| 28 | FIRING PIN BLOCK |
| 29 | SLIDE 92X FULL SIZE |
| 30 | 92X REAR SIGHT S.F. |
| 31 | 92X FRONT SIGHT S.F. |
| 32 | SLIDE 92X FULL SIZE BLACK |
| 33 | SLIDE ASSY 92X F BLACK FULL |
| 34 | MAG CATCH EXTENDED MODEL |
| 35 | HAMMER RELEASE LEV |
| 36 | HAMMER STRUT |
| 37 | HAMMER |
| 38 | LANYARD LOOP PIN |
| 39 | EJECTOR PIN |
| 40 | SEAR PIN |
| 41 | HAMMER SPRING TYPE D |
| 42 | DISASSEMBLY SPRING |
| 43 | TRIGGER BAR |
| 44 | 92X HAMMER SPRING CAP |
| 45 | DISASSEMBLY BUTTON |
| 46 | TRIGGER PIN |
| 47 | HAMMER PIN |
| 48 | HAMMER RELEASE LEVER PIN |
| 49 | SLIDE STOP |
| 50 | SEAR SPRING |
| 51 | TRIGGER BAR SPRING |
| 52 | SLIDE STOP SPRING |
| 53 | TRIGGER SPRING |
| 54 | SEAR |
| 55 | FIRING PIN BLOCK LEVER |
| 56 | TRIGGER - 90 SERIES STEEL |
| 57 | GRIP BUSHING STANDARD |
| 58 | GRIP BUSHING SHORT |
| 59 | EJECTOR SF |
| 60 | EJECTOR |
| 61 | DIASSEMBLY LEVER |
| 62 | RECEIVER 92X FULL SIZE WITH RAIL |
| 63 | RECEIVER 92X FULL WITH RAIL |
| 64 | RECEIVER ASSY 92X FULL RAIL |
| 65 | MAGAZINE, MOD 92, 17RD |

